

# Vehicle Cradle for M101B/P

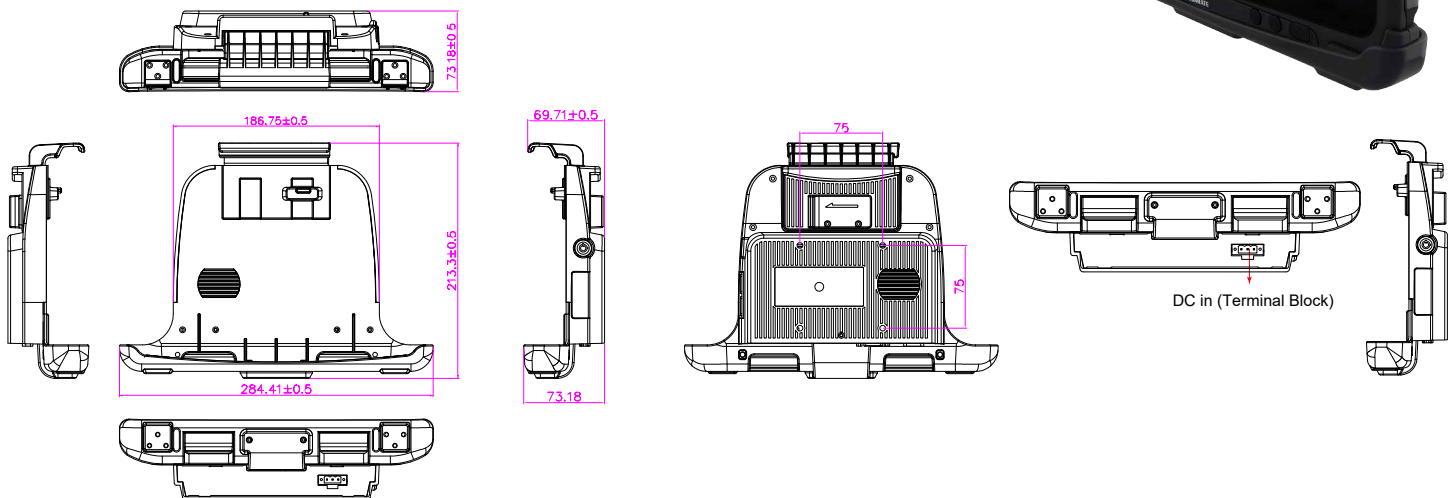
VC-M101B

## Product Features:

- Keeps the tablet securely fastened on moving vehicles
- Anti-theft design with key lockable cradle
- Wide power voltage input (9~36V DC-in)
- VESA standard for various standard fixtures



## Mechanical Drawing



## One hand docking :



1 Insert the Tablet PC into the docking

2. Push down the hook, the lock will lock automatically

## One hand undocking :



1.Slide the latch to open the hook

2.Remove the Tablet from docking

## Specification

|             |                                 |
|-------------|---------------------------------|
| Dimension   | 284.41 x 213.3 x 73.18 mm       |
| Power Input | 9~36V DC In                     |
| Mounting    | 75 x 75mm VESA Mount            |
| Vibration   | MIL STD. 810G, 5 ~ 500Hz, 2.24G |