

W32L100-PTA1

32" Multi-Touch Color Surgical Display



KEY FEATURES

- 32" Display with 4K UHD (3840 x 2160) native resolution, Color Surgical Display
- Projected Capacitive Touch
- Bottom side keys x 5
- Fanless and Ventless design, Easy-to-Clean
- Support VGA , DVI , HDMI , DP variety signal input
- Support IR Remote controller
- Housing with antimicrobial properties



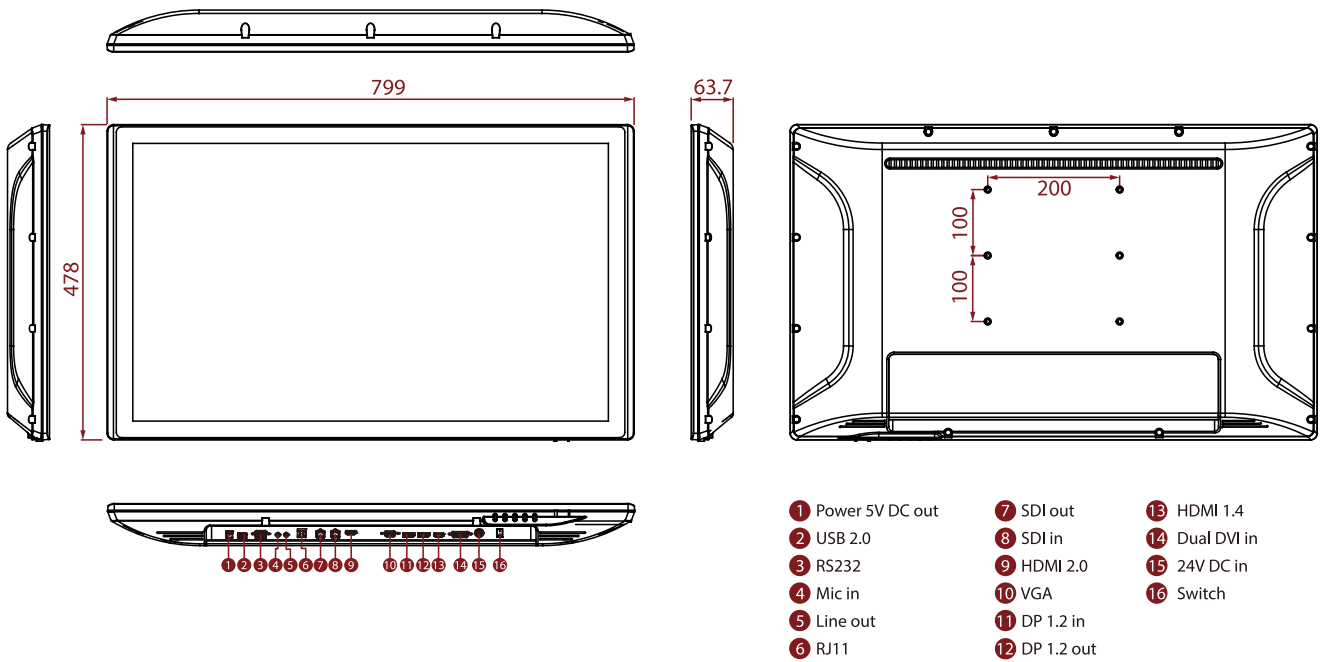
SPECIFICATIONS

Display	
Resolution	3840x2160
Contrast Ratio	1000:1
Display Color	1.07B Colors
Active Area	708.48 x 398.52 mm
Size	32 inches
Panel Brightness	350 nits
View Angles	89,89,89,89
Touch / Glass	Projected Capacitive Multi Touch Screen
Environment	
Operating Humidity	10% to 90% RH, non-condensing
Storage Temperature	-20 °C to 60 °C
Operating Temperature	0°C to 35°C
Certification	
Certification	IEC 60601-1:2005 + A1:2012 (Ed. 3.1) IEC 60601-1-6:2010 + A1:2013 (Ed. 3.1) IEC 62366:2007 + A1:2014 (Ed. 1.1) ANSI/AAMI ES60601-1:2005/A1:2012 and C1:2009/(R)2012 and A2:2010/(R)2012 CAN/CSA-C22.2 No.60601-1:14 EN 60601-1-2:2015, IEC 60601-1-2:2014 (Ed. 4.0) EN 55032/EN 55024, FCC part 15B EN 62368-1:2014 RoHS-2, REACH, WEEE compliant
IO Ports	
USB Port	1 x USB 2.0
Video	1 x Dual DVI In 1 x DP 1.2 Out 1 x DP 1.2 In 1 x VGA In 1 x SDI in 1 x SDI out 1 x HDMI 1.4 (Optional) 1 x HDMI 2.0 (Optional)
Serial Port	1 x RS-232
Audio	1 x Mic In 1 x Line Out 2 x Speaker
GPIO	1 x RJ-11
Mechanical	
Dimension	799 x 478 x 63.7 mm
Enclosure	Plastic
Mounting	VESA Mount
Cooling System	Fanless Design
Accessory	

Accessory	Remote Control User Manual M4 VESA Mounting Screws 24 Volt Power Supply Power Cable 1.8m VGA Cable DVI Cable 1.8 m SDI Cable DC Jack to Open Wire Cable	Optional Accessory USB Cable for Touch (Optional)
Power		
Power Rating	24V DC in	
Control		
Button	5 Keys: -, +, Power, Esc, Enter	

DIMENSIONS UNIT:MM

Winmate W32L100-PTA1



NOTE

1. This is a simplified drawing and some components are not marked in detail.
2. Please contact our sales representative if you need further product information.
3. All specifications are subject to change without prior notice.
4. The product shown in this datasheet is a standard model. For diagrams that contain customized or optional I/O, please contact the Winmate Sales Team for more information.