

W32L100-MLA1FG

32" 4K UHD Rack Mount Protective Glass Defense Display



KEY FEATURES

- 32" Display with 4K UHD (3840 x 2160) native resolution
- Compliant MIL-STD 810G/ MIL-STD 461E
- Rack mount mechanical design, supports VESA mount
- AR protection glass
- Military-grade power connector (MIL-DTL-38999/1)
- AC 100~240V, Universal, ±10%; DC 9~36V, ±10% (Optional)
- Convenient on-screen display controls



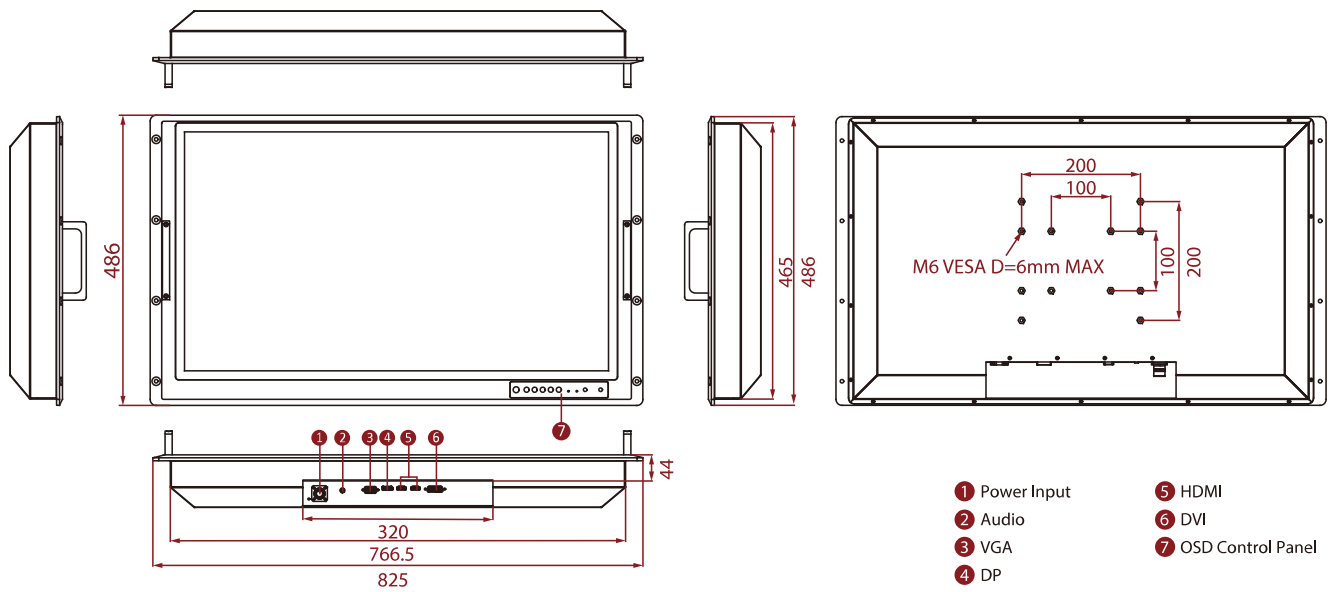
SPECIFICATIONS

Display	
Resolution	3840x2160
Contrast Ratio	1000:1
Display Color	1.07B Colors
Active Area	708.48 x 398.52 mm
Size	32 inches
Panel Brightness	350 nits
View Angles	89,89,89,89
Touch / Glass	AR Protection Glass EMI ITO Glass (Optional)
Environment	
Operating Humidity	10% to 95% RH
Storage Temperature	-10°C~60°C
Operating Temperature	0~50°C
Certification	
Certification	CE, FCC
Compliance	
MIL-STD 461E/F	RE101 / RE102 CE101 / CE102 with EMI Glass / Touch(Optional) RS101 / RS 103 CS101 / CS 106 / CS 109 / CS 114 / CS 115 / CS 116
MIL-STD 810F/G	Vibration Method 514.5 Humidity Method 507.4 Transit Drop Method 516.5
IO Ports	
Serial Port	1 x RS232 for Remote Control (Optional)
Video	1 x VGA 1 x DVI 1 x Display Port 1.2 1 x HDMI 1.4 (Optional) 1 x HDMI 2.0 (Optional)
Audio	1 x Audio Line In (Optional)
Mechanical	
Dimension	825 x 486 x 54 mm
Enclosure	Metal
Mounting	VESA Mount/ Rack Mount
Cooling System	Fanless Design
Accessory	
Accessory	1 x User Manual(Hardcopy) 1 x Power Cord MILDTL38999/1 1 x VGA Cable
Optional Accessory	1 x Audio cable

1 x DVI Cable
 2 x HDMI Cable
 1 x DP Cable

Power	
Power Rating	AC 100~240V, Universal, ±10% DC 9~36V, ±10% (Optional)
Control	
Button	7 key: Power Decrease Increase Exit/ Auto Menu Day/ Night Lock/ Unlock

DIMENSIONS UNIT:MM



NOTE

1. This is a simplified drawing and some components are not marked in detail.
2. If you require an external test report, Winmate will charge an NRE fee.
3. Please contact our sales representative if you need further product information.
4. All specifications are subject to change without prior notice.
5. The product shown in this datasheet is a standard model. For diagrams that contain customized or optional I/O, please contact the Winmate Sales Team for more information.