

# W24IB3S-65A2

## 23.8" Intel® Celeron® N2930 IP65 Stainless Resistive Chassis Panel PC



### KEY FEATURES

- Intel® Celeron® Bay Trail-M N2930 1.83GHz (burst up to 2.16GHz) Processor
- Fanless Design
- Full IP65 dust/water resistant
- SUS 316/ AISI 316 stainless steel for food and chemical industries
- Optical Bonding with Anti-moisture Treatment (Optional)
- Anti-Reflection Protection Glass (Optional)



### SPECIFICATIONS

Display	
<b>Resolution</b>	1920x1080
<b>Contrast Ratio</b>	3000:1
<b>View Angles</b>	89,89,89,89
<b>Touch / Glass</b>	Resistive Touch Screen Protection Glass Without Touch Function (Optional)
<b>Size</b>	23.8 inches
<b>Panel Brightness</b>	250 nits
<b>Active Area</b>	527.04x296.46 mm
System Specification	
<b>Processor</b>	Intel® Celeron® N2930 (2M Cache, up to 2.16 GHz)
<b>Storage</b>	1 x mSATA SSD 64GB. mSATA SSD up to 512GB. (Optional)
<b>Operating System</b>	Windows 7 Embedded Systems (Optional) Windows 10 IoT Enterprise (Optional) Linux Ubuntu 18.04 (Optional)
<b>Memory</b>	1 x SO-DIMM, DDR3L 1600 MHz, 4GB 8GB (Optional)
<b>BT</b>	Support (Optional)
<b>Ethernet controller</b>	2 x Intel® Ethernet Controller I210-AT
<b>WLAN</b>	Support (Optional)
Mechanical	
<b>Dimension</b>	600 x 380 x 60.9 mm
<b>Enclosure</b>	Stainless Housing
<b>Mounting</b>	VESA Mount Yoke Mount
<b>Cooling System</b>	Fanless design
Environment	
<b>Operating Humidity</b>	10% to 90% (non-condensing)
<b>Storage Temperature</b>	-20~60°C
<b>Operating Temperature</b>	0~45°C
<b>IP rating</b>	IP65
Certification	
<b>Certification</b>	CE, FCC
IO Ports	
<b>Power Input</b>	1 x M12 waterproof connector for 12V DC
<b>Serial Port</b>	1 x M12 waterproof connector for RS232
<b>Indicator</b>	1 x LED Indicator for power 1 x LED Indicator for storage
<b>USB Port</b>	1x M12 waterproof connector for 2 x USB2.0
<b>LAN</b>	1 x waterproof Giga LAN RJ45 connector
Control	

<b>Button</b>	1 x Power Button 1 x Reset Button
---------------	--------------------------------------

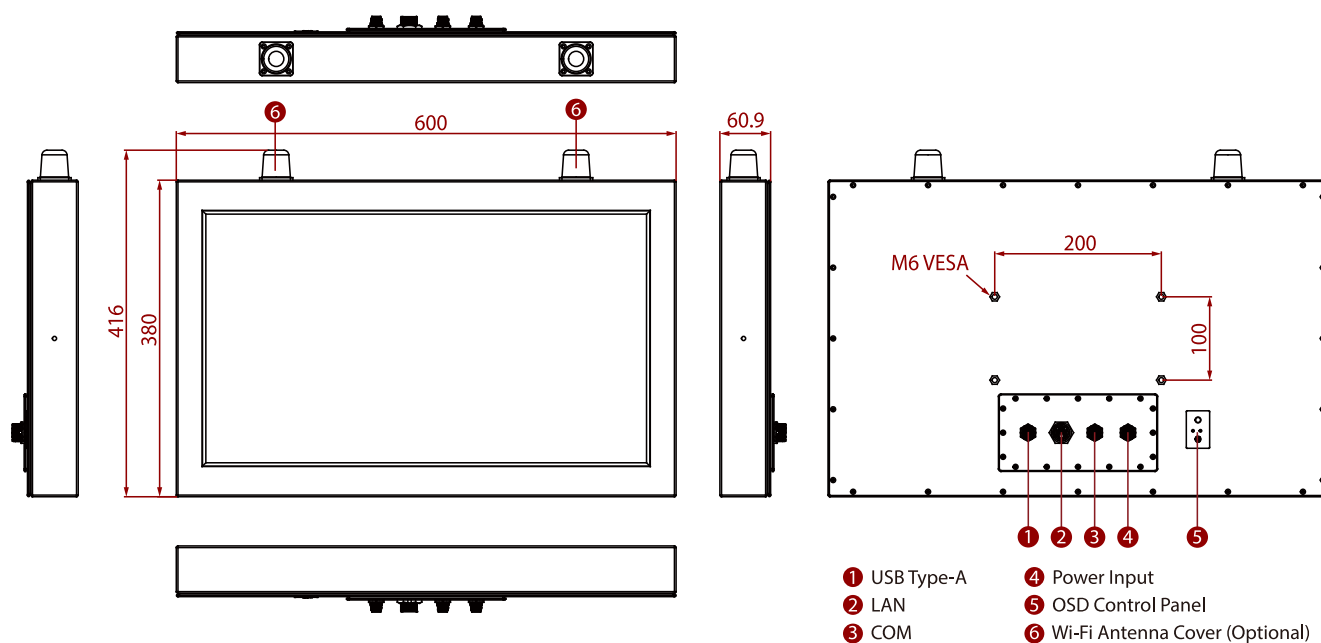
### Accessory

<b>Accessory</b>	100~240V AC to DC Adapter with waterproof connector Power Cord External USB cable with waterproof connector External COM cable with waterproof connector External LAN cable with waterproof connector Waterproof caps Driver CD & Manual VESA screws
------------------	---

### Power

<b>Power Rating</b>	12V DC (M12 type)
---------------------	-------------------

## DIMENSIONS UNIT:MM



## NOTE

1. This is a simplified drawing and some components are not marked in detail.
2. The product shown in this datasheet is a standard model. For diagrams that contain customized or optional I/O, please contact the Winmate Sales Team for more information.
3. All specifications are subject to change without prior notice.