

W22IW3S-PPA3

21.5" Intel® Core™ i5-8265U PP Series HMI Panel PC



KEY FEATURES

- 21.5" LED LCD with Projective Capacitive multi-touch screen
- Intel® 8th Generation Core™ i5-8265U, 1.6 GHz (turbo to 3.9GHz)
- Fanless cooling system and ultra-low power
- Front IP65 Water and Dust Proof
- Aluminum housing and fanless design
- Room booking schedule, Access Control, Room Information Display

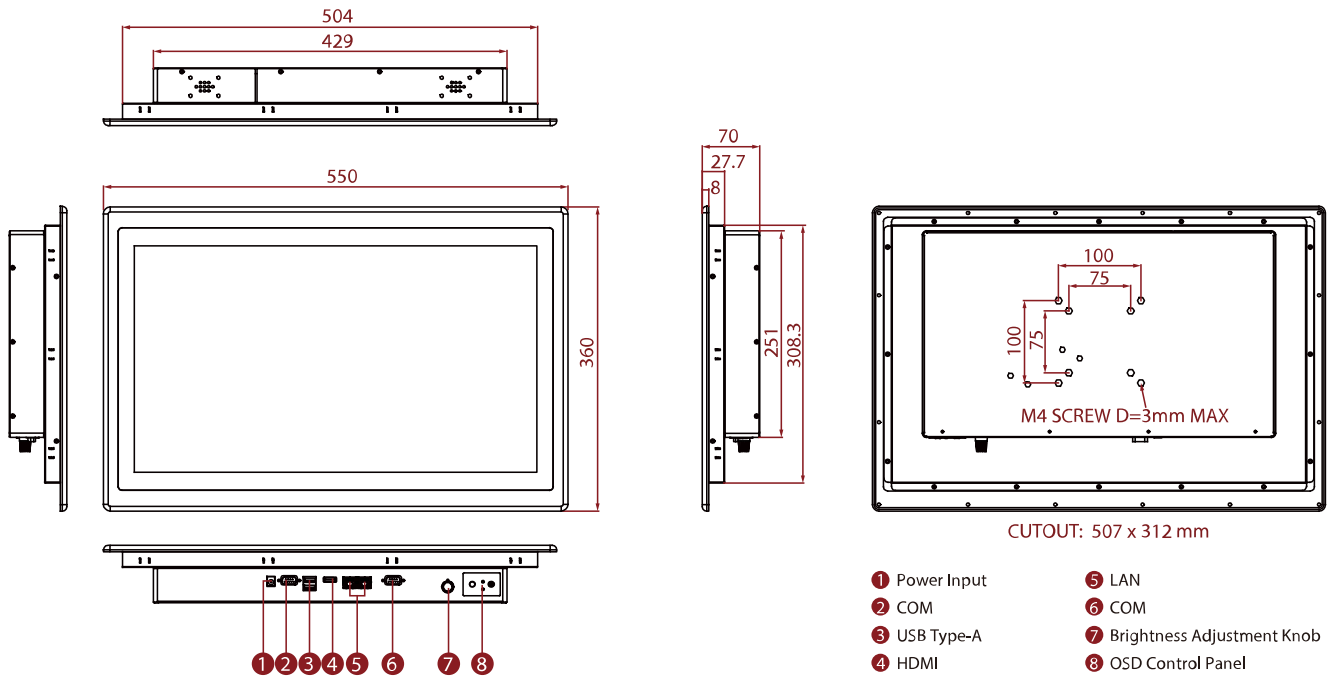


SPECIFICATIONS

Display	
Resolution	1920x1080
Contrast Ratio	3000:1
View Angles	89,89,89,89
Touch / Glass	Projected Capacitive Multi Touch Screen
Size	21.5 inches
Panel Brightness	250 nits
Active Area	476.64x268.11 mm
System Specification	
Processor	Intel® Core™ i5 -8265U (6M Cache, 1.6GHz up to 3.9 GHz)
Storage	1 x M.2 2242 B-key SSD 64GB M.2 2242 B-key SSD up to 512GB (Optional) M.2 2280 M-Key NVME SSD, up to 4TB (Optional)
Security	TPM 2.0
WLAN	Support (Optional)
Memory	1 x SO-DIMM, DDR4 2400 MHz, 4GB 8GB (Optional) 16GB (Optional) 32GB (Optional)
Ethernet controller	Intel® Ethernet Controller I210-AT + Intel® Ethernet Connection I219-LM
Operating System	Windows 10 IoT Enterprise (Optional) Linux Ubuntu 18.04 (Optional) Linux Ubuntu 20.04 (Optional)
BT	Support (Optional)
Mechanical	
Dimension	550 x 360 x 70 mm
Enclosure	Metal Housing
Cut out	504x309mm
Mounting	Panel mount VESA Mount
Cooling System	Fanless design
Environment	
Operating Humidity	10% to 90% (non-condensing)
Storage Temperature	-20~60°C
Operating Temperature	0~50°C
IP rating	Front IP65
Certification	
Certification	CE, FCC
IO Ports	
Power Input	1 x 12V DC, 2.5φ DC jack
Serial Port	1 x RS232/422/485 (Default RS232) 1 x RS232
USB Port	2 x USB3.2 Gen.1 (Type-A)
Video	1 x HDMI 1.4 (Optional)

Audio	2 x Speaker	Expansion Port	2 x M.2 slot(1 for WiFi, 1 for SSD)
LAN	2 x Giga LAN RJ45 Connector	Indicator	1 x LED Indicator for power 1 x LED Indicator for storage
Brightness Knob	1 x Brightness Adjustment Knob		
Control			
Button	1 x Power Button 1 x Reset Button		
Accessory			
Accessory	100~240V AC to DC Adapter Power Cord VESA screws Manual Mounting clips		
Power			
Power Rating	12V DC	Adapter	12V 84W

DIMENSIONS UNIT:MM



NOTE

1. Measurements are shown in mm.
2. Tolerance of all dimensions is shown as follow 0~30 mm \pm 0.1 mm, 30~50 mm \pm 0.15 mm, 50~120 mm \pm 0.2 mm, above 120 mm \pm 0.25 mm.
3. This is a simplified drawing and some components are not marked in detail.
4. The product shown in this datasheet is a standard model. For diagrams that contain customized or optional I/O, please contact the Winmate Sales Team for more information.