

# W15L100-PTA3

## 15.6" Multi-Touch Chassis Display



### KEY FEATURES

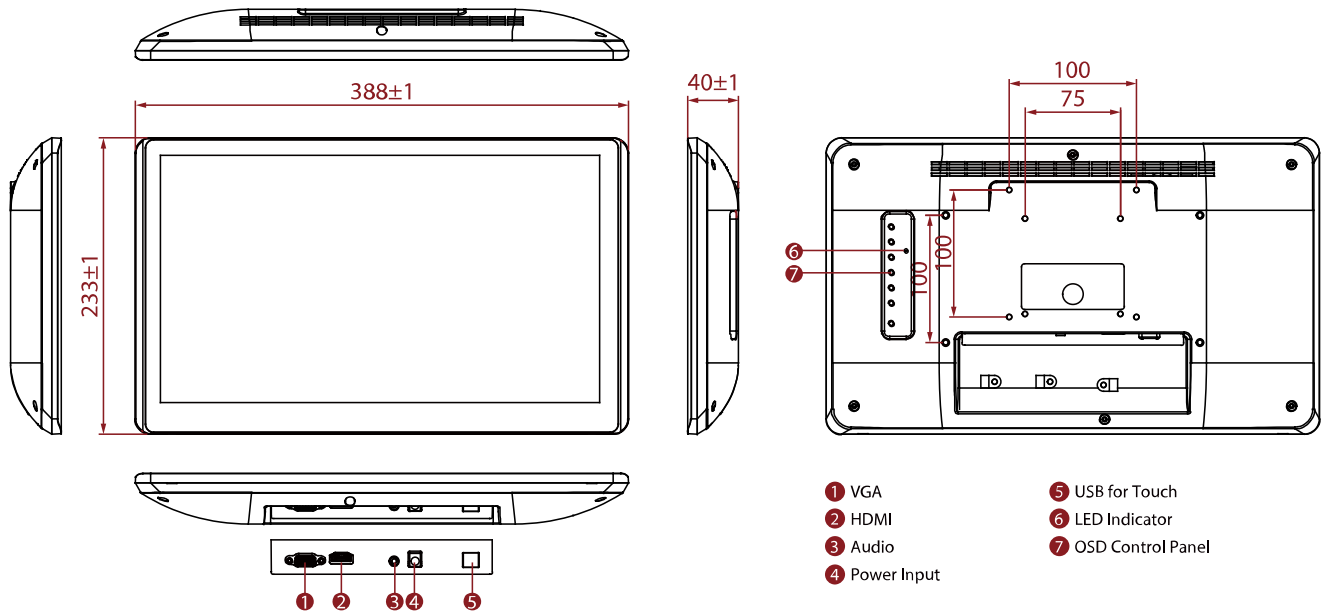
- 15.6" 1920 x 1080 Resolution
- VGA input and HDMI input
- Stylish and elegant design



### SPECIFICATIONS

Display			
<b>Touch / Glass</b>	Projected Capacitive Multi Touch Screen	<b>Resolution</b>	1920x1080
<b>Size</b>	15.6 inches	<b>Contrast Ratio</b>	800:1
<b>Panel Brightness</b>	400 nits	<b>Display Color</b>	262K Colors
<b>View Angles</b>	85,85,85,85	<b>Active Area</b>	344.16 ×193.59 mm
Environment			
<b>Operating Humidity</b>	10% to 90% (non-condensing)	<b>Operating Temperature</b>	0~50°C
<b>Storage Temperature</b>	-10~60°C		
Certification			
<b>Certification</b>	CE, FCC		
IO Ports			
<b>USB Port</b>	1 x USB for Touch Screen	<b>Video</b>	1 x VGA 1 x HDMI (Optional)
<b>Audio</b>	1 x Audio In 2 x Speaker (Optional)		
Mechanical			
<b>Dimension</b>	387.8 x 232.9 x 40 mm	<b>Mounting</b>	VESA Mount
<b>Enclosure</b>	Plastic	<b>Cooling System</b>	Fanless Design
Accessory			
<b>Accessory</b>	1 x VGA cable 1 x HDMI cable 100~240V AC to DC Adapter Power Cord Manual VESA screws(Varies by product)		
Power			
<b>Power Rating</b>	12V DC input		
Control			
<b>Button</b>	7 Keys: Enter, Exit, Right, Left, Up, Down, Power		

## DIMENSIONS UNIT:MM



## NOTE

1. This is a simplified drawing and some components are not marked in detail.
2. Please contact our sales representative if you need further product information.
3. All specifications are subject to change without prior notice.
4. The product shown in this datasheet is a standard model. For diagrams that contain customized or optional I/O, please contact the Winmate Sales Team for more information.