

W15FA3S-ELA4

15.6" NXP i.MX6 EL Series HMI Panel PC



KEY FEATURES

- 15.6" 1920 x 1080 Resolution with Projected Capacitive Multi-Touch (P-CAP)
- NXP i.MX6 Dual Core 1GHz
- Fanless cooling system and Ultra-low power consumption
- Front IP65 Water and Dust Proof
- 1 x USB; 1 x RS485; 1 x USB OTG; 1 x RJ45/LAN



SPECIFICATIONS

| Display | |
|------------------------------|--|
| Resolution | 1920x1080 |
| Contrast Ratio | 800:1 |
| View Angles | 85,85,85,85 |
| Touch / Glass | Projected Capacitive Multi Touch Screen |
| Size | 15.6 inches |
| Panel Brightness | 300 nits |
| Active Area | 344.16×193.59 mm |
| System Specification | |
| Processor | NXP i.MX6 Dual Core, 1.0GHz |
| Memory | 1GB 2GB (Optional) |
| Storage | Onboard 8GB eMMC |
| Operating System | Linux Ubuntu 18.04 Android 6.0 (Optional) |
| Mechanical | |
| Dimension | 387.6 x 257.7 x 52.5 mm |
| Mounting | Panel mount VESA Mount |
| Enclosure | Metal Housing |
| Cooling System | Fanless design |
| Cut out | 371.6x223.5mm |
| Environment | |
| Operating Humidity | 10% to 90% (non-condensing) |
| Operating Temperature | 0~50°C |
| Storage Temperature | -20~60°C |
| IP rating | Front IP65 |
| Certification | |
| Certification | CE, FCC |
| IO Ports | |
| Power Input | 1 x 12~24V DC, 3-Pin Terminal Block |
| USB Port | 1 x USB2.0 (Type-A) 1 x USB OTG |
| Serial Port | 1 x RS485, 3pin Terminal block |
| LAN | 1 x LAN RJ45 Connector |
| Indicator | 1 x LED Indicator for storage |
| Control | |
| Button | 1 x Reset Button |
| Accessory | |
| Accessory | 100~240V AC to DC Adapter |

Power Cord
 Terminal Block to 2.5Ø Female Adapter Cable
 Open Wire Cable with terminal block connector
 Mounting clips
 VESA screws

Power

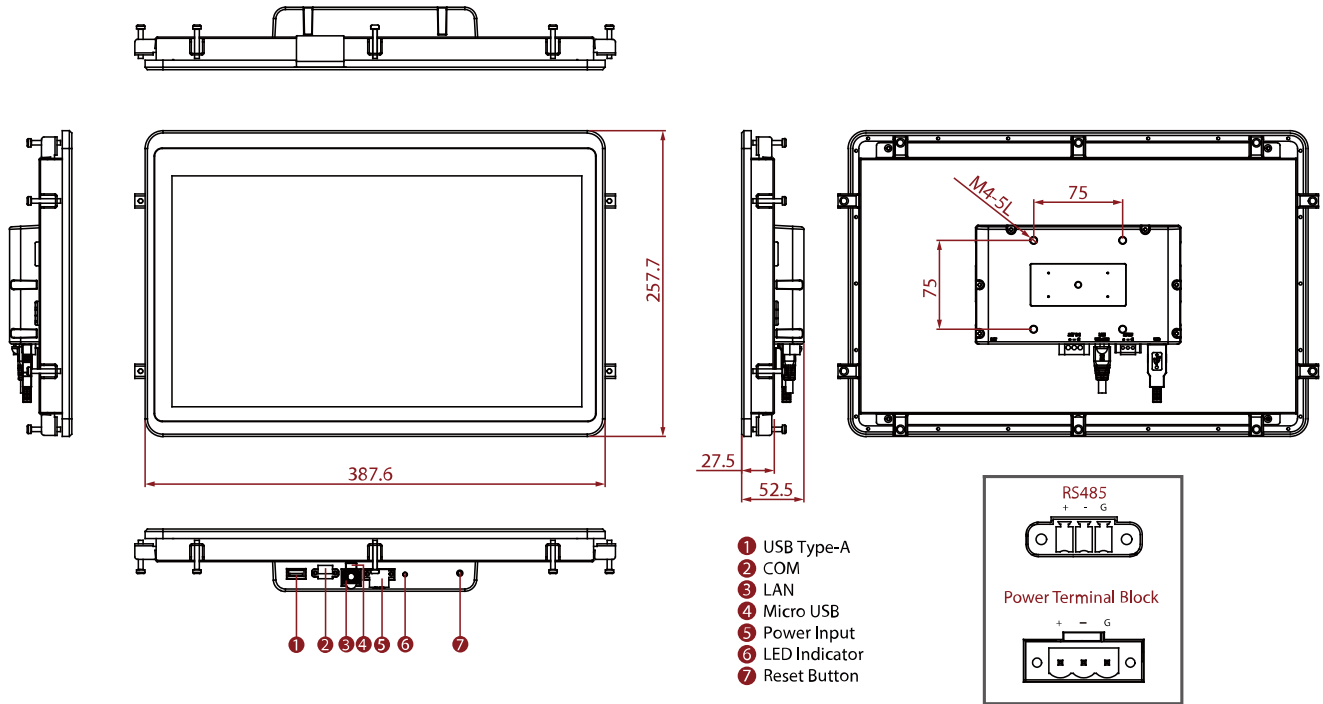
Power Rating 12V~24V with isolation, 3-Pin Terminal Block

Adapter

12V 50W

DIMENSIONS

UNIT:MM



NOTE

1. This is a simplified drawing and some components are not marked in detail.
2. The product shown in this datasheet is a standard model. For diagrams that contain customized or optional I/O, please contact the Winmate Sales Team for more information.
3. All specifications are subject to change without prior notice.