

W12L100-VMM9

12.1" G-WIN VM Series Display



KEY FEATURES

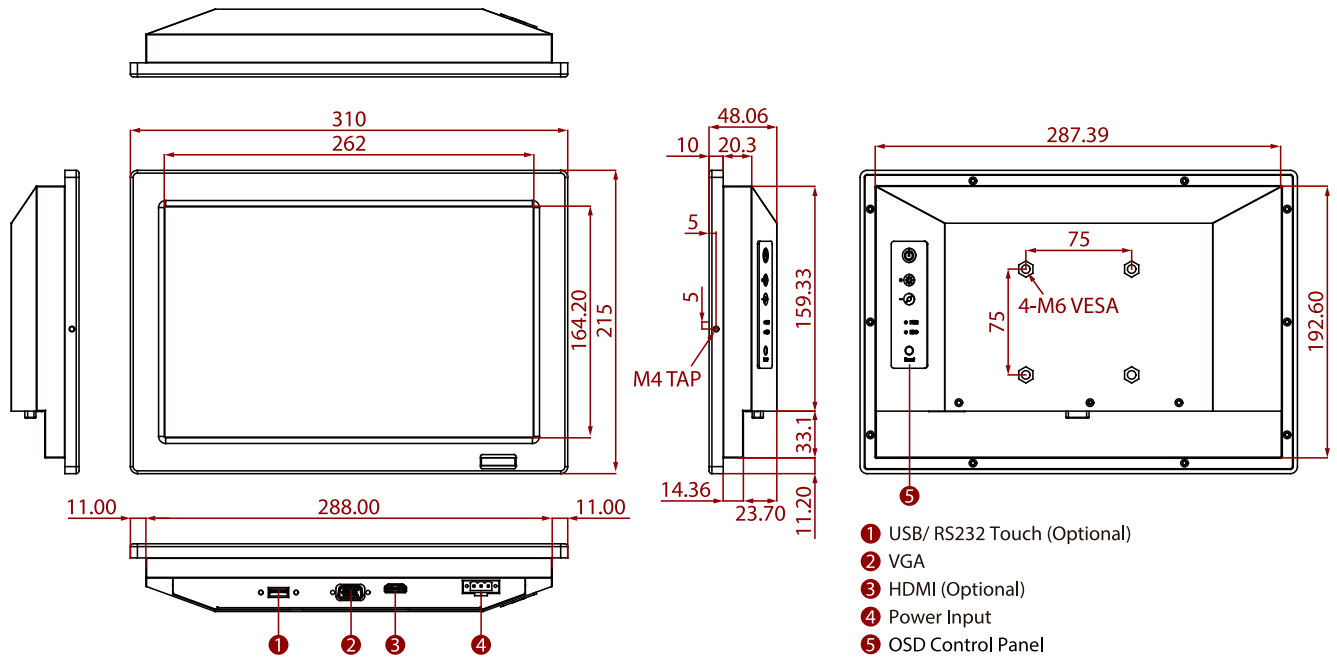
- High Quality 12.1" Wide Panel, 1280 x 800 resolution
- Aluminum Housing with Anti-Corrosion Treatment
- Anti-Shock and Vibration Standard according to IEC60068-2-27
- 5 Wire Resistive Touchscreen
- Anti-Reflection Protection Glass (Optional)
- Wide Range 9 to 36 V DC Input Acceptable



SPECIFICATIONS

Display	
Resolution	1280x800
Contrast Ratio	1000:1
Display Color	16.2M Colors
Touch / Glass	Resistive Touch Screen Protection Glass w/o Touch Function (Optional)
Size	12.1 inches
Panel Brightness	400 nits
View Angles	88,88,88,88
Environment	
Operating Humidity	10% to 95% (Non-Condensing)
Storage Temperature	-30°C~70°C
Vibration	Operating: 1.60/1.96/2.18 g rms for XYZ / 5-500Hz
Operating Temperature	-10°C~55°C
Shock	Operating:30g for 18ms
Certification	
Certification	CE, FCC
IO Ports	
USB Port	1 x USB for Touch Screen (Optional)
Serial Port	1 x RS232 for Touch Screen (Optional)
Video	1 x VGA 1 x DVI (Optional) 1 x S-Video (Optional) 1 x Composite (Optional)
Accessory	
Accessory	User Manual(Hardcopy) Touch Driver CD 3 Pin Terminal Block AC Adapter Power Cord Mounting Bracket
Power	
Power Rating	9V~36V DC In Terminal Block
Control	
Button	5 Keys: - , + , Power , Esc , Enter

DIMENSIONS UNIT:MM



NOTE

1. This is a simplified drawing and some components are not marked in detail.
2. The product shown in this datasheet is a standard model. For diagrams that contain customized or optional I/O, please contact the Winmate Sales Team for more information.
3. All specifications are subject to change without prior notice.