

W10RK3S-PCH2LB

10.1" ARM A72+A53 S Series HMI Panel PC



KEY FEATURES

- 10.1" 1280 x 800 Resolution with Projected Capacitive Multi-Touch (PCAP)
- ARM® Dual-core A72 up to 2.0 GHz + Quad-core A53 up to 1.5 GHz
- Fanless cooling system and ultra-low power consumption
- Supports PoE function
- All-around LED status light bar
- Optional HF RFID Reader
- Stylish design for room booking, access control and room information applications



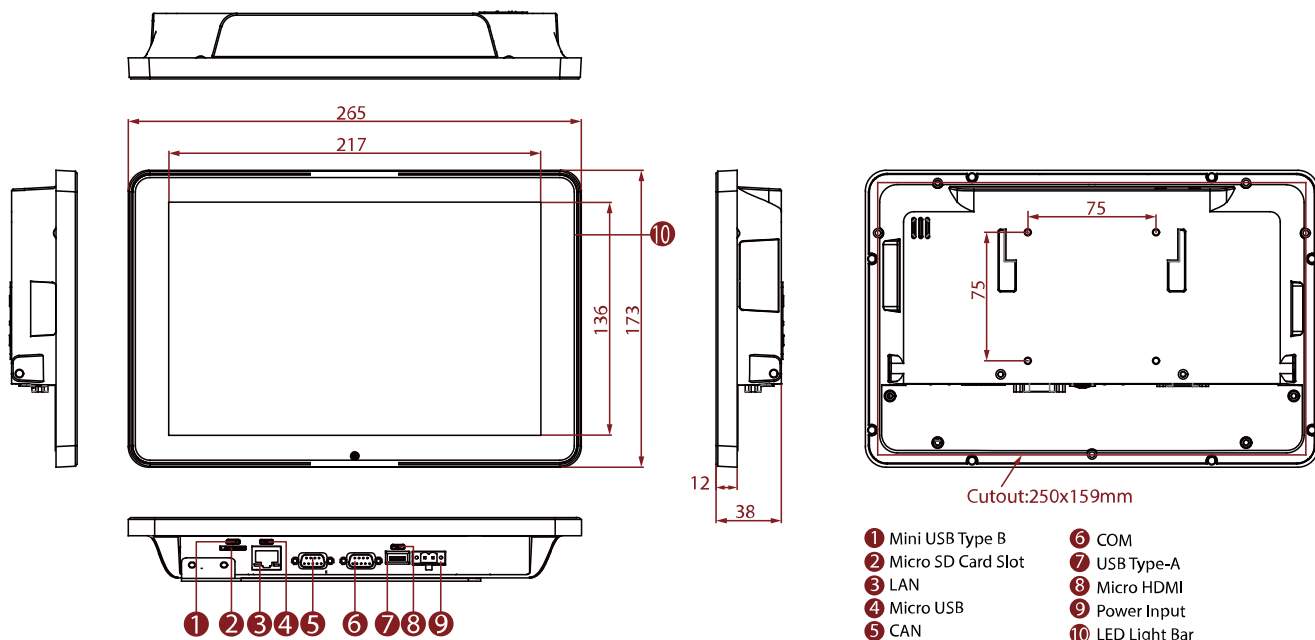
SPECIFICATIONS

Display			
Resolution	1280x800	Size	10.1 inches
Contrast Ratio	800:1	Panel Brightness	350 nits 1000 nits(Optional)
View Angles	85,85,85,85	Active Area	216.96 x135.6 mm
Touch / Glass	Projected Capacitive Multi Touch Screen Anti-glare Coating (Optional)		
System Specification			
Processor	ARM A72 (up to 2.0 GHz) + ARM A53 (up to 1.5 GHz)	Memory	2GB LPDDR3L 1600 4GB LPDDR3L 1600 (Optional)
Storage	Onboard 16GB eMMC Onboard 32GB eMMC (Optional) Micro SD Card SDHC (Optional)	Operating System	Android 7.1 Debian 7.0 (Optional)
Environment			
Operating Humidity	10% to 90% (non-condensing)	Operating Temperature	0~50°C
Storage Temperature	-20~60°C	IP rating	Front IP65
Certification			
Certification	CE, FCC		
Mechanical			
Dimension	265 x 173 x 38 mm	Mounting	VESA Mount (75x75mm), Panel Mount, Front Side Wall Mount
Enclosure	Plastic	Cooling System	Fanless Design
IO Ports			
USB Port	1 x USB 3.0, 1 x USB 2.0, 1 x USB OTG	Serial Port	1 x RS-232/422/485
SD Card Slot	1 x Micro SD Card Slot	Video	1 x Micro HDMI (Optional)
Audio	1 x Speaker	LAN	1 x RJ 45-10/100/1000 Mbps LAN, Supports PoE function
Indicator	RGB LED Light Bar		
Accessory			

Accessory	Driver CD AC Adapter 12V/50W Power Cord Terminal Block to DC Jack VESA Screws
------------------	---

Power			
Power Rating	12V DC in(Phoenix type)	POE	Power Device (PD), follows IEEE 802.3at (25 W)

DIMENSIONS UNIT:MM



NOTE

1. Measured at dimming LCD brightness. Varies depending on the usage conditions, or when an external device is attached.
2. Total usable memory will be less dependent upon actual system configuration.
3. Length measurements do not include protrusions. Weight varies with options.
4. This is a simplified drawing and some components are not marked in detail.
5. Accessories and integrated options may vary depending on your configuration.
6. The product shown in this datasheet is a standard model. For diagrams that contain customized or optional I/O, please contact the Winmate Sales Team for more information.