

W10L100-PCH2-POE

10.1" PoE Chassis Display



KEY FEATURES

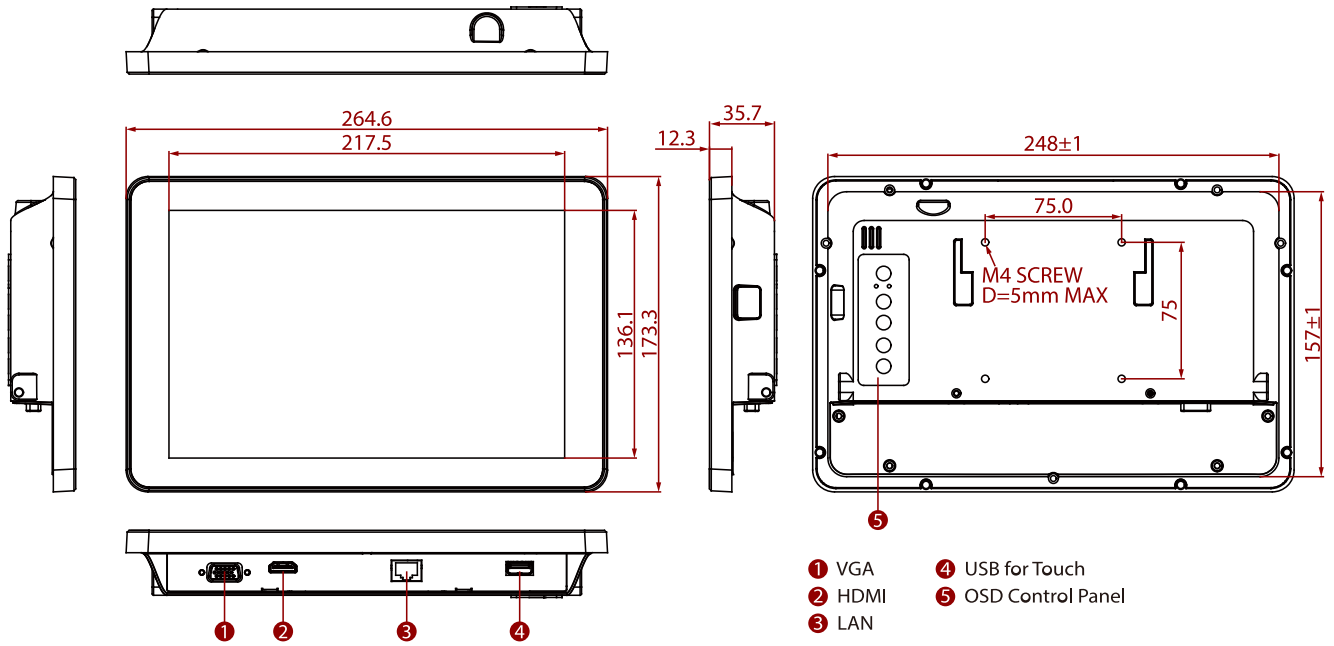
- 10.1" 1280 x 800 Resolution, PoE Chassis Display
- Projected Capacitive Multi-Touch (P-Cap)
- VGA input and HDMI input
- USB port for touch
- Stylish and elegant design
- Supports PoE



SPECIFICATIONS

| Display | |
|------------------------------|---|
| Resolution | 1280x800 |
| Contrast Ratio | 800:1 |
| Display Color | 16.7M Colors |
| Touch / Glass | Projected Capacitive Multi Touch Screen Protection Glass (Optional) Anti-glare Coating (Optional) |
| Size | 10.1 inches |
| Panel Brightness | 350 nits |
| View Angles | 85,85,85,85 |
| Environment | |
| Operating Humidity | 10% to 90% (non-condensing) |
| Storage Temperature | -10~60°C |
| Operating Temperature | 0~50°C |
| Certification | |
| Certification | CE, FCC |
| IO Ports | |
| USB Port | 1 x USB for Touch Screen |
| Audio | 1 x Speaker (Optional) |
| Video | 1 x VGA 1 x HDMI (Optional) |
| LAN | 1 x PoE for Power Input |
| Mechanical | |
| Dimension | 264.57 x 173.29 x 35.7 mm |
| Enclosure | Aluminum |
| Mounting | VESA Mount/ Panel Mount |
| Cooling System | Fanless Design |
| Accessory | |
| Accessory | 1 x USB Cable for Touch 1 x VGA Cable 1 x HDMI Cable |
| Power | |
| POE | Power Device (PD) follows IEEE 802.3at (25 W), IEEE 802.3af (15 W) |
| Control | |
| Button | 5 Keys: -, +, Power, Esc, Enter |

DIMENSIONS UNIT:MM



NOTE

1. This is a simplified drawing and some components are not marked in detail.
2. Please contact our sales representative if you need further product information.
3. All specifications are subject to change without prior notice.
4. The product shown in this datasheet is a standard model. For diagrams that contain customized or optional I/O, please contact the Winmate Sales Team for more information.