

W10IQ3S-PCH2AC-POE

10.1" Qualcomm Snapdragon™ 660 S Series HMI Panel PC



KEY FEATURES

- 10.1" 1280 x 800 Resolution with Projected Capacitive Multi-Touch (P-CAP)
- Fanless cooling system and ultralow power consumption
- Support PoE function
- Optional 2MP Front Camera
- Optional HF RFID Reader
- Stylish design for room booking, access control, and room information applications
- Front IP65 Water and Dust Proof
- Built-in RGB LED Light Bar Indicator

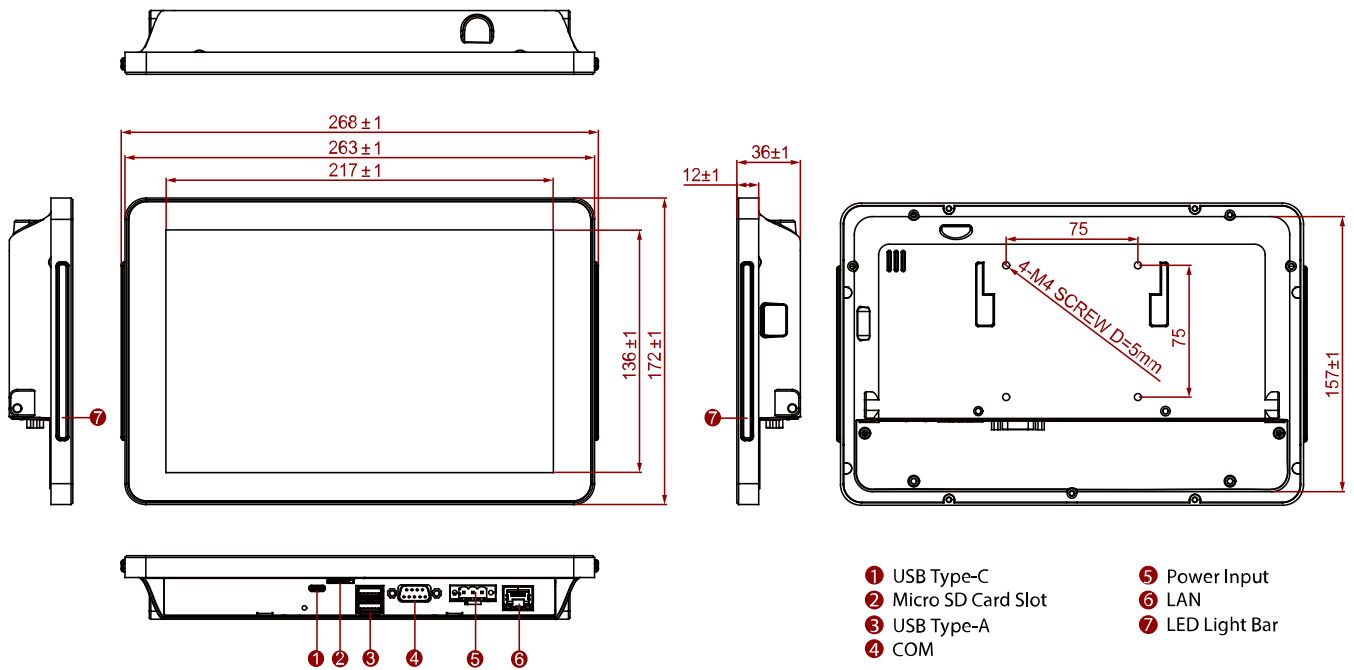


SPECIFICATIONS

Display			
Resolution	1280x800	Size	10.1 inches
Contrast Ratio	800:1	Panel Brightness	350 nits 1000 nits(Optional)
View Angles	85,85,85,85	Active Area	216.96 x135.6 mm
Touch / Glass	Projected Capacitive Multi Touch Screen		
System Specification			
WLAN	Support (Optional)	BT	Support (Optional)
RFID	HF RFID Reader 13.56 MHz (Optional)	Light Bar	Built-in RGB LED Status Light Bar, on both sides
Processor	Qualcomm® Snapdragon™ 660 (Octa-Core 2.2 GHz)	Memory	3GB LPDDR4
Storage	32GB eMMC	Operating System	Android 9.0
Mechanical			
Dimension	264.57 x 173.29 x 35.7 mm	Mounting	Panel mount VESA Mount
Enclosure	Aluminum	Cooling System	Fanless design
Cut out	250x159mm		
Environment			
Operating Humidity	10% to 90% (Non-Condensing)	Operating Temperature	0~50°C
Storage Temperature	-20~60°C	Shock	MIL-STD-810G Method 516.6
Vibration	MIL-STD-810G Method 514.6	IP rating	Front IP65
Certification			
Certification	CE, FCC		
IO Ports			
USB Port	2 x USB 2.0 (Type A), 1 x USB 3.0 (Type-C)	Serial Port	1 x RS232/422/485 (Default RS232)
SD Card Slot	1 x Micro SD card slot	Video	1 x Micro HDMI (Optional)
Audio	1 x Speaker	LAN	1 x LAN(USB to LAN AX88178A) PoE at/af

Accessory			
Accessory	100~240V AC to DC Adapter Power Cord Terminal Block to 2.5Ø Female Adapter Cable Open Wire Cable with terminal block connector Manual VESA screws		
Power			
Power Rating	12V DC with Terminal Block 9~36V (Optional)	Adapter	12V 50W
POE	PoE (PD): follows IEEE 802.3at (25 W)		
Camera			
Front Camera	2MP Camera (Optional)		

DIMENSIONS UNIT:MM



NOTE

1. This is a simplified drawing and some components are not marked in detail.
2. The product shown in this datasheet is a standard model. For diagrams that contain customized or optional I/O, please contact the Winmate Sales Team for more information.
3. All specifications are subject to change without prior notice.