

# W10IP3S-PCH2-POE

## 10.1" Intel® Pentium® N4200 S Series HMI Panel PC



### KEY FEATURES

- 10.1" 1280 x 800 PCAP multi-touch screen
- Intel® Pentium® N4200 Apollo Lake Processor
- Fanless cooling system and ultra-low power consumption
- Dual Gigabit Ethernet
- Front IP65 water and dust proof
- Optional 2 MP Front Camera
- Optional HF RFID Reader
- Support PoE function
- Stylish design for room booking, access control and room information applications

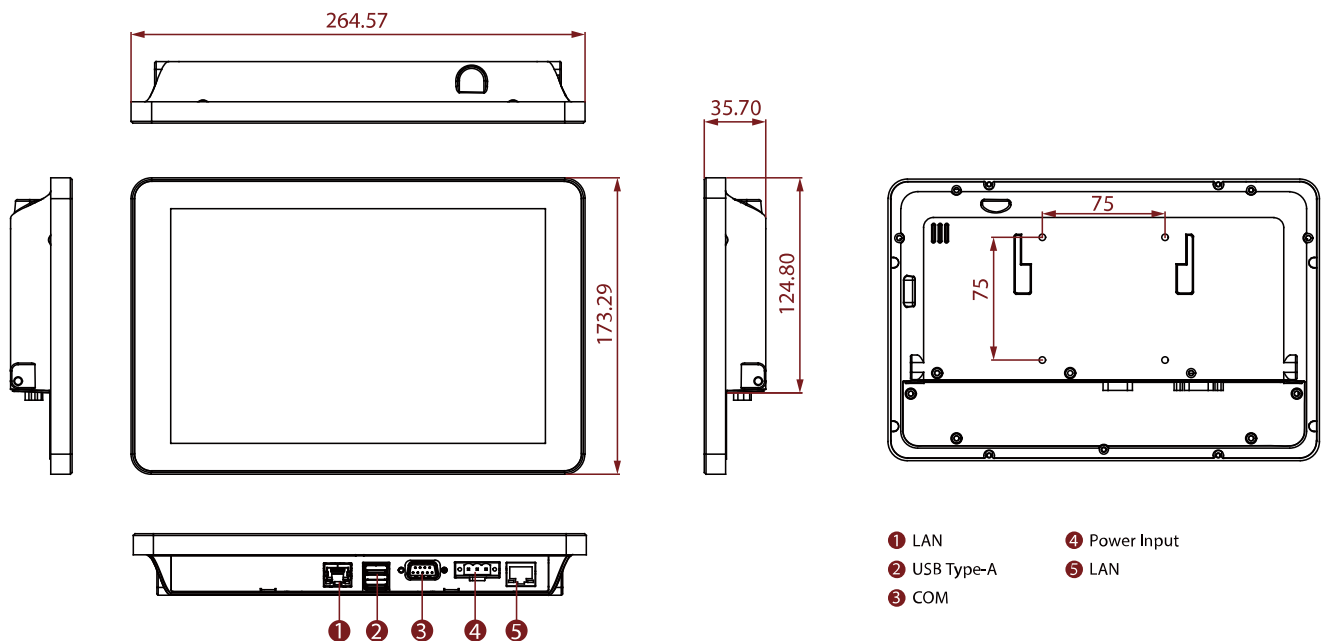


### SPECIFICATIONS

Display			
Resolution	1280x800	Size	10.1 inches
Contrast Ratio	800:1	Panel Brightness	350 nits 1000 nits(Optional)
View Angles	85,85,85,85	Active Area	216.96 x135.6 mm
Touch / Glass	Projected Capacitive Multi Touch Screen		
System Specification			
Processor	Intel® Pentium® N4200 (2M Cache, up to 2.5 GHz)	Memory	1 x SO-DIMM, DDR3L 1600 MHz, 4GB 8GB (Optional)
Storage	1 x M.2 B-Key 2242 SSD 64GB M.2 B-Key 2242 SSD up to 512GB (Optional)	Ethernet controller	2 x Intel® Gigabit Ethernet Controller
Security	TPM 2.0	Operating System	Windows 10 IoT Enterprise (Optional) Linux Ubuntu 18.04 (Optional) Linux Ubuntu 20.04 (Optional)
WLAN	Support (Optional)	BT	Support (Optional)
RFID	HF RFID Reader 13.56 MHz (Optional)		
Mechanical			
Dimension	264.57 x 173.29 x 35.7 mm	Mounting	Panel mount VESA Mount
Enclosure	Metal Housing	Cooling System	Fanless design
Cut out	250x159mm		
Environment			
Operating Humidity	10% to 90% (non-condensing)	Operating Temperature	0~50°C
Storage Temperature	-20~60°C	IP rating	Front IP65
Certification			
Certification	CE, FCC		
IO Ports			
Power Input	1 x 12V DC, 3-Pin Terminal Block	USB Port	2 x USB3.0 (Type-A)

<b>Serial Port</b>	1 x RS232/422/485 (Default RS232)	<b>Video</b>	1 x Micro HDM (Optional)
<b>Audio</b>	1 x Speaker	<b>Expansion Port</b>	2 x M.2 slot(1 for WiFi, 1 for SSD)
<b>LAN</b>	2 x Giga LAN RJ45 Connector, One with PoE(PD, 802.3at)(Optional)		
<b>Accessory</b>			
<b>Accessory</b>	100~240V AC to DC Adapter Power Cord Terminal Block to 2.5Ø Female Adapter Cable Open Wire Cable with terminal block connector Driver CD & Manual VESA screws	<b>Optional Accessory</b>	VESA Wall Mount (Optional) VESA Desk Stand (Optional) Glass Wall Mount Kit (Optional) Front Side Wall Mount (Optional) VESA bracket mounting kit (Optional)
<b>Power</b>			
<b>Power Rating</b>	12V DC 9~36V (Optional)	<b>Adapter</b>	12V 50W
<b>POE</b>	PoE (PD): follows IEEE 802.3at (25 W)		

## DIMENSIONS UNIT:MM



## NOTE

1. Measured at dimming LCD brightness. Varies depending on the usage conditions, or when an external device is attached.
2. Total usable memory will be less dependent upon actual system configuration.
3. Length measurements do not include protrusions. Weight varies with options.
4. This is a simplified drawing and some components are not marked in detail.
5. The product shown in this datasheet is a standard model. For diagrams that contain customized or optional I/O, please contact the Winmate Sales Team for more information.
6. All specifications are subject to change without prior notice.