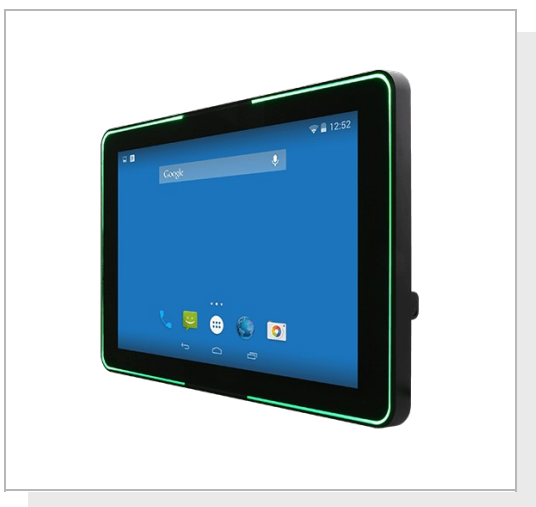


# W10FA3S-PCH2LB

## 10.1" NXP i.MX6 S Series HMI Panel PC



### KEY FEATURES

- 10.1" 1280 x 800 Resolution with Projected Capacitive Multi-Touch (PCAP)
- NXP i.MX6 Dual Core, 1 GHz (Optional Quad Core)
- Fanless cooling system and ultra-low power consumption
- Supports PoE function
- All-around LED status light bar
- Optional HF RFID Reader
- Stylish design for room booking, access control and room information applications



### SPECIFICATIONS

Display			
<b>Resolution</b>	1280x800	<b>Size</b>	10.1 inches
<b>Contrast Ratio</b>	800:1	<b>Panel Brightness</b>	350 nits 1000 nits(Optional)
<b>View Angles</b>	85,85,85,85	<b>Active Area</b>	216.96 x135.6 mm
<b>Touch / Glass</b>	Projected Capacitive Multi Touch Screen Anti-glare Coating (Optional)		
System Specification			
<b>Processor</b>	NXP i.MX6 Dual Core, 1.0GHz	<b>Memory</b>	1GB 2GB (Optional)
<b>Storage</b>	Onboard 16GB eMMC Onboard 32GB eMMC (Optional)	<b>Operating System</b>	Android 6.0 Linux Ubuntu 16.04 (Optional) Linux 4.1.15 QT 5.5 (Optional)
Environment			
<b>Operating Humidity</b>	10% to 90% (non-condensing)	<b>Operating Temperature</b>	0~50°C
<b>Storage Temperature</b>	-20~60°C	<b>IP rating</b>	Front IP65
Certification			
<b>Certification</b>	CE, FCC		
Mechanical			
<b>Dimension</b>	265 x 173 x 38 mm	<b>Mounting</b>	VESA Mount (75x75mm), Panel Mount, Front Side Wall Mount
<b>Enclosure</b>	Plastic Bezel & Aluminum back cover	<b>Cooling System</b>	Fanless Design
IO Ports			
<b>USB Port</b>	1 x Mini USB Console(Linux use) 1 x USB OTG 1 x USB 2.0	<b>Serial Port</b>	1 x RS-232/422/485
<b>SD Card Slot</b>	1 x Micro SD Card Slot	<b>Video</b>	1 x Micro HDMI (Optional)
<b>Audio</b>	1 x Speaker	<b>LAN</b>	1 x RJ 45-10/100/1000 Mbps LAN, Supports PoE function
<b>Indicator</b>	RGB LED Light Bar	<b>CANBUS</b>	1 x CANBus

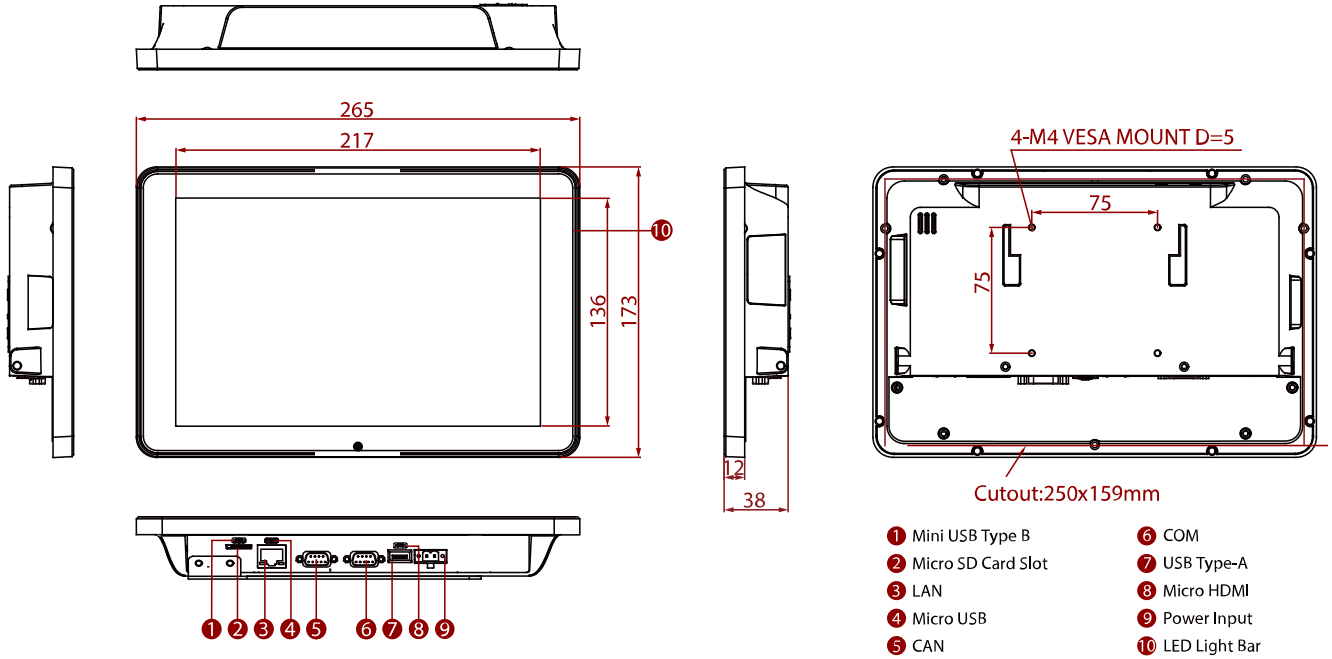
## Accessory

<b>Accessory</b>	Driver CD & User Manual AC Adapter (12V/50W) Power Cord 3 Pin Terminal Block to DC Jack VESA Screws
------------------	---

## Power

<b>Power Rating</b>	12V DC in(Phoenix type)	<b>POE</b>	Power Device (PD), follows IEEE 802.3at (25 W)
---------------------	-------------------------	------------	--

## DIMENSIONS UNIT:MM



## NOTE

1. Measured at dimming LCD brightness. Varies depending on the usage conditions, or when an external device is attached.
2. Total usable memory will be less dependent upon actual system configuration.
3. Length measurements do not include protrusions. Weight varies with options.
4. This is a simplified drawing and some components are not marked in detail.
5. Accessories and integrated options may vary depending on your configuration.
6. The product shown in this datasheet is a standard model. For diagrams that contain customized or optional I/O, please contact the Winmate Sales Team for more information.