

# W10FA3S-ELH2

## 10.1" NXP i.MX6 EL Series HMI Panel PC



### KEY FEATURES

- 10.1" 1280 x 800 Resolution with P-Cap Multi-touch screen
- NXP i.MX6 Dual Core 1GHz
- Fanless cooling system and Ultra-low power consumption
- Front IP65 Water and Dust Proof
- 1 x USB , 1 x USB OTG , 1 x RS485 , 1 x RJ45 / LAN



### SPECIFICATIONS

Display			
Resolution	1280x800	Size	10.1 inches
Contrast Ratio	800:1	Panel Brightness	350 nits 1000 nits(Optional)
View Angles	85,85,85,85	Active Area	216.96 x135.6 mm
Touch / Glass	Projected Capacitive Multi Touch Screen		
System Specification			
Processor	NXP i.MX6 Dual Core, 1.0GHz	Memory	1GB 2GB (Optional)
Storage	Onboard 8GB eMMC	Operating System	Linux Ubuntu 18.04 Android 6.0 (Optional)
Mechanical			
Dimension	267 x 182 x 47 mm	Mounting	Panel mount VESA Mount
Enclosure	Metal Housing	Cooling System	Fanless design
Cut out	244x159mm		
Environment			
Operating Humidity	10% to 90% (non-condensing)	Operating Temperature	0~50°C
Storage Temperature	-20~60°C	IP rating	Front IP65
Certification			
Certification	CE, FCC		
IO Ports			
Power Input	1 x 12~24V DC, 3-Pin Terminal Block	USB Port	1 x USB2.0 (Type-A) 1 x USB OTG
Serial Port	1 x RS485, 3pin Terminal block	LAN	1 x LAN RJ45 Connector
Indicator	1 x LED Indicator for storage		
Control			
Button	1 x Reset Button		
Accessory			

**Accessory** 100~240V AC to DC Adapter  
 Power Cord  
 Terminal Block to 2.5Ø Female Adapter Cable  
 Open Wire Cable with terminal block connector  
 Mounting clips  
 VESA screws

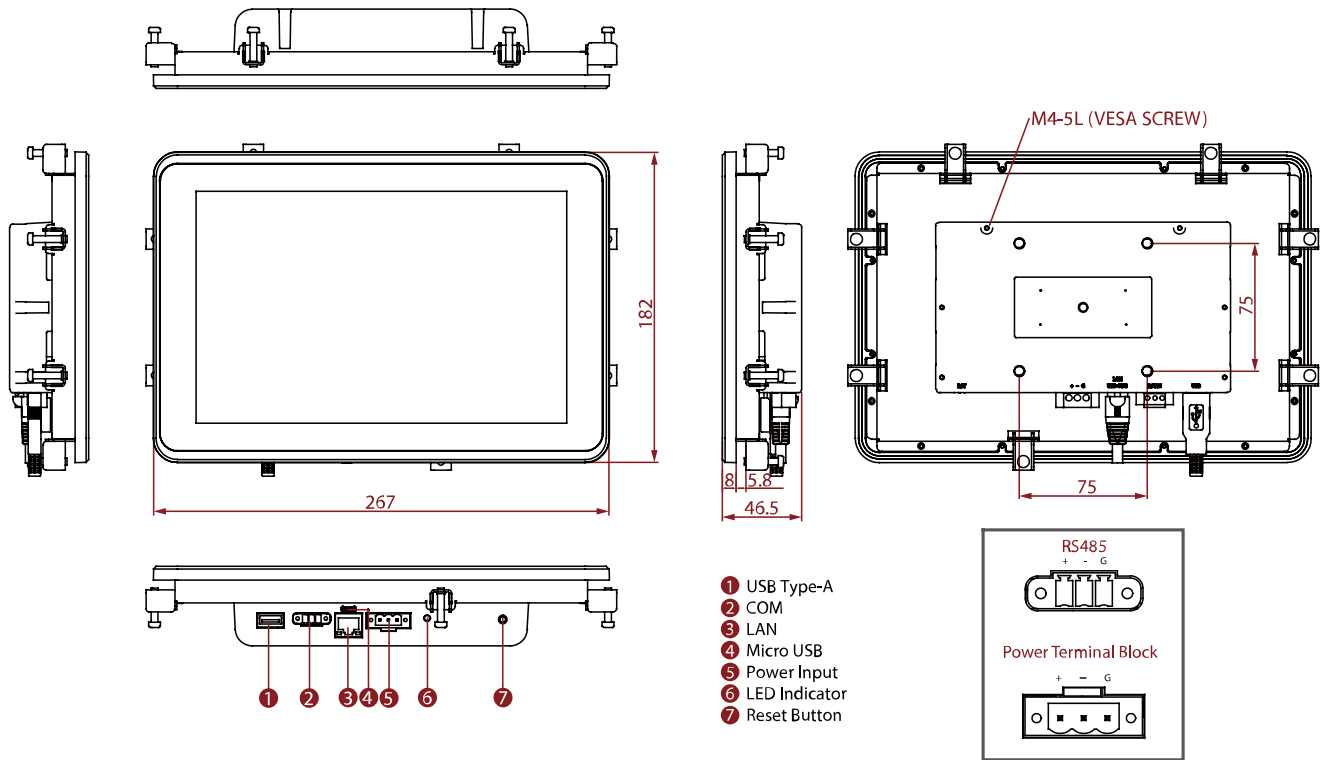
**Power**

**Power Rating** 12V~24V with isolation, 3-Pin Terminal Block

**Adapter**

12V 50W

**DIMENSIONS** UNIT:MM



**NOTE**

1. This is a simplified drawing and some components are not marked in detail.
2. The product shown in this datasheet is a standard model. For diagrams that contain customized or optional I/O, please contact the Winmate Sales Team for more information.
3. All specifications are subject to change without prior notice.