

W07L100-POT1-C

7" USB Type-C Open Frame Display



KEY FEATURES

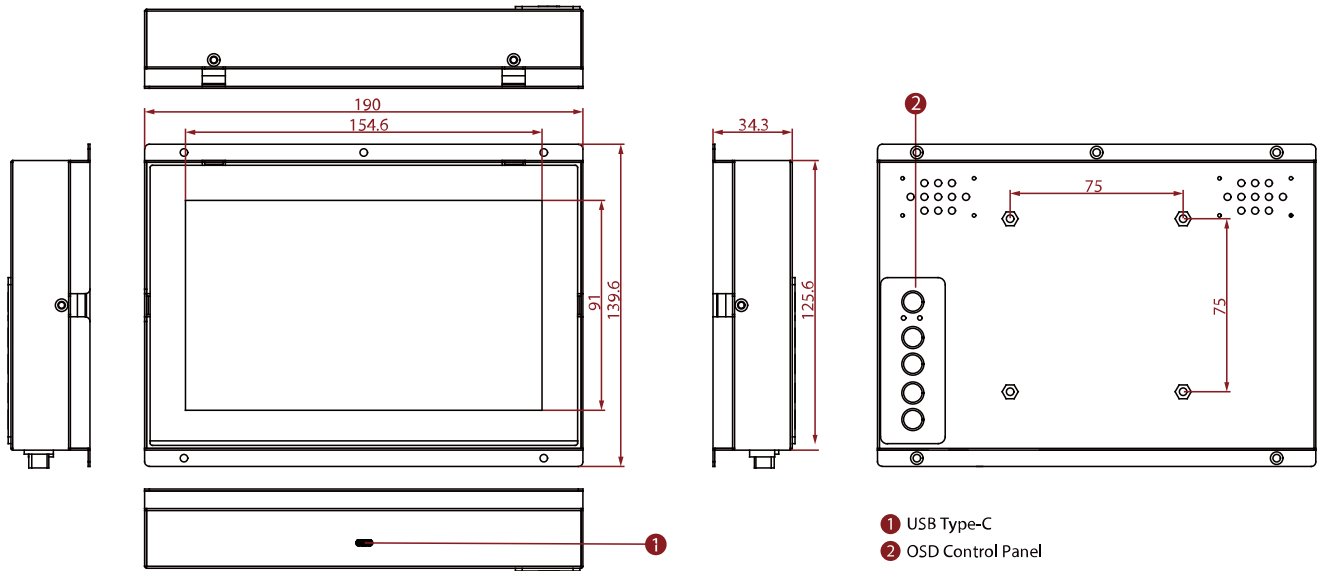
- 7", 1024 x 600
- USB Type-C connector
- Open frame
- VESA mount
- PCAP touch



SPECIFICATIONS

Display			
Resolution	1024x600	Size	7.0 inches
Contrast Ratio	500:1	Panel Brightness	320 nits
Display Color	16.7M Colors	View Angles	75,75,75,70
Touch / Glass	Projected Capacitive Multi Touch Screen Protection Glass (Optional)		
Environment			
Operating Humidity	10% to 90% (non-condensing)	Operating Temperature	0~50°C
Storage Temperature	-10~60°C		
Certification			
Certification	CE, FCC		
IO Ports			
USB Port	1 x USB Type-C Connector	Audio	2 x Speaker (Optional)
Mechanical			
Dimension	190 x 139.6 x 34 mm	Mounting	VESA Mount/ Panel Mount
Enclosure	Metal	Cooling System	Fanless Design
Accessory			
Accessory	User Manual	Optional Accessory	Standard USB-C Cable (Optional) Lockable USB-C to Standard USB-C Cable (Optional) Waterproof USB-C to Standard USB-C Cable (Optional)
Power			
Power Rating	USB Type-C Alt mode (5V/3A)		
Control			
Button	5 Keys: -, +, Power, Esc, Enter		

DIMENSIONS UNIT:MM



NOTE

1. This is a simplified drawing and some components are not marked in detail.
2. The product shown in this datasheet is a standard model. For diagrams that contain customized or optional I/O, please contact the Winmate Sales Team for more information.
3. All specifications are subject to change without prior notice.