

# W07L100-GCT1

## 7" G-WIN Front IP65 PCAP Display



### KEY FEATURES

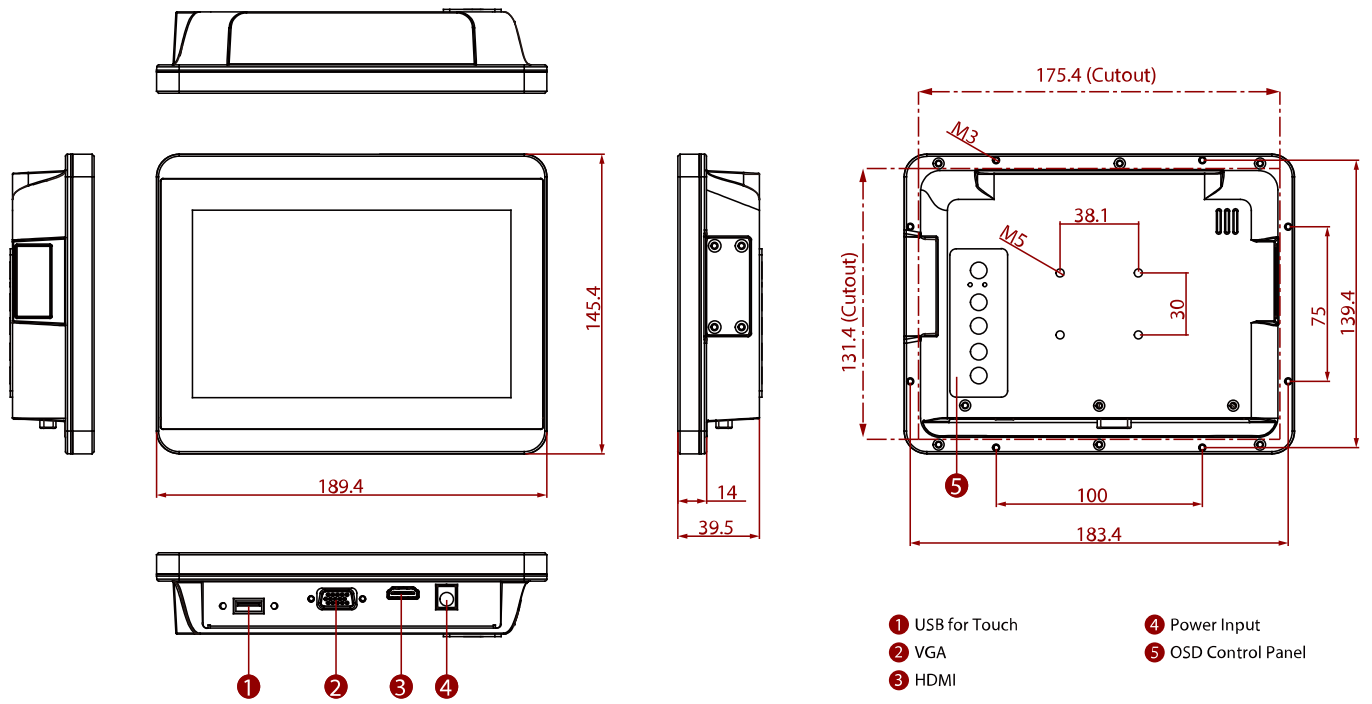
- 7" 1024 x 600 Resolution, Front IP65 PCAP Display
- VGA input and HDMI input
- Projected Capacitive Multi-Touch
- Front IP65 for protection against water and dust



### SPECIFICATIONS

Display			
Resolution	1024x600	Size	7.0 inches
Contrast Ratio	500:1	Panel Brightness	320 nits
Display Color	16.7M Colors	View Angles	75,75,75,70
Touch / Glass	Projected Capacitive Multi Touch Screen		
Environment			
Operating Humidity	10% to 90% (Non-Condensing)	Operating Temperature	0~50°C
Shock	40g for 11ms	Vibration	1.48/1.90/2.24 g rms for XYZ/ 5-500Hz
IP rating	Front IP65		
Certification			
Certification	CE, FCC		
IO Ports			
USB Port	1 x USB for Touch Screen	Video	1 x VGA 1 x HDMI (Optional) 1 x DVI (Optional)
Mechanical			
Dimension	189.4 x 145.4 x 39.8 mm	Mounting	VESA Mount/ Panel Mount
Enclosure	Aluminum	Cooling System	Fanless Design
Accessory			
Accessory	1 x VGA cable 1 x HDMI cable 100~240V AC to DC Adapter Power Cord Manual VESA screws(Varies by product)	Optional Accessory	Remote Controller (Optional,Varies by product)
Power			
Power Rating	12V DC input		
Control			
Button	5 Keys: -, +, Power, Esc, Enter		

## DIMENSIONS UNIT:MM



## NOTE

1. This is a simplified drawing and some components are not marked in detail.
2. The product shown in this datasheet is a standard model. For diagrams that contain customized or optional I/O, please contact the Winmate Sales Team for more information.
3. All specifications are subject to change without prior notice.
4. The product shown in this datasheet is a standard model. For diagrams that contain customized or optional I/O, please contact the Winmate Sales Team for more information.