

W07IQ3S-EHT1

7" Qualcomm Snapdragon™ 660 E Series HMI Panel PC



KEY FEATURES

- 7" 1024 x 600 Resolution with Projected Capacitive Multi-Touch (PCAP)
- Qualcomm Snapdragon™ 660 octa-core, 2.2 GHz CPU
- Fanless cooling system and ultra-low power consumption
- Front IP65 Water and Dust Proof

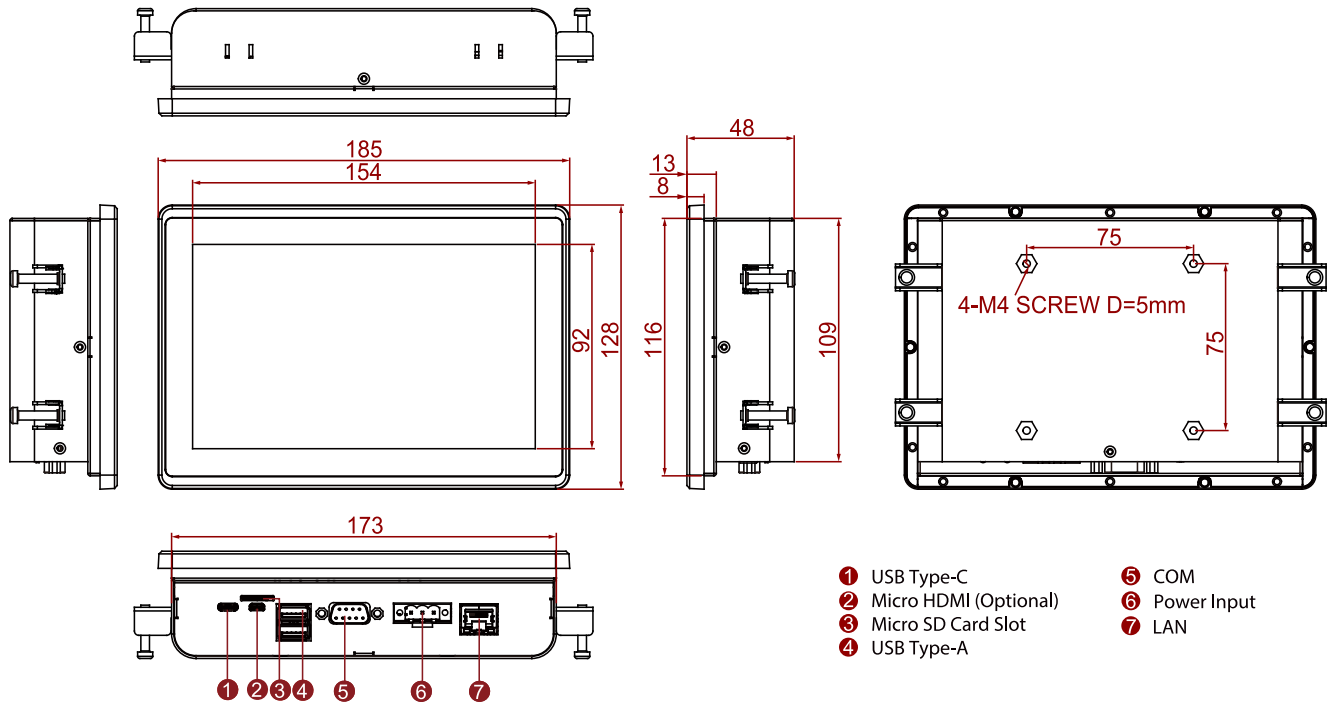


SPECIFICATIONS

Display			
Resolution	1024x600	Size	7 inches
Contrast Ratio	1000:1	Panel Brightness	320 nits
View Angles	75,75,75,70	Active Area	153.6x90 mm
Touch / Glass	Projected Capacitive Multi Touch Screen		
System Specification			
WLAN	Support (Optional)	BT	Support (Optional)
Processor	Qualcomm® Snapdragon™ 660 (Octa-Core 2.2 GHz)	Memory	3GB LPDDR4
Storage	32GB eMMC	Operating System	Android 9.0
Mechanical			
Dimension	185 x 128 x 48 mm	Mounting	Panel mount VESA Mount
Enclosure	Plastic Front Bezel with Metal Back Cover	Cooling System	Fanless design
Cut out	175x118mm		
Environment			
Operating Humidity	10% to 90% (Non-Condensing)	Operating Temperature	0~50°C
Storage Temperature	-20~60°C	Shock	MIL-STD-810G Method 516.6
Vibration	MIL-STD-810G Method 514.6	IP rating	Front IP65
Certification			
Certification	CE, FCC		
IO Ports			
USB Port	2 x USB 2.0 (Type A), 1 x USB 3.0 (Type-C)	Serial Port	1 x RS232/422/485 (Default RS232)
SD Card Slot	1 x Micro SD card slot	Video	1 x Micro HDMI (Optional)
LAN	1 x LAN(USB to LAN AX88178A)		
Accessory			
Accessory	100~240V AC to DC Adapter Power Cord VESA screws		

Power			
Power Rating	12V DC with Terminal Block	Adapter	12V 50W

DIMENSIONS UNIT:MM



NOTE

1. This is a simplified drawing and some components are not marked in detail.
2. The product shown in this datasheet is a standard model. For diagrams that contain customized or optional I/O, please contact the Winmate Sales Team for more information.
3. All specifications are subject to change without prior notice.