

W07IB3S-EHT1

7" Intel® Celeron® N2930 E Series HMI Panel PC



KEY FEATURES

- 7" 1024 x 600 PCAP touchscreen
- Intel® Celeron® N2930 Bay Trail
- Fanless cooling system
- Front IP65
- Dual Gigabit Ethernet



SPECIFICATIONS

| Display | | | |
|----------------------|--|-----------------------|---|
| Resolution | 1024x600 | Size | 7 inches |
| Contrast Ratio | 1000:1 | Panel Brightness | 320 nits |
| View Angles | 75,75,75,70 | Active Area | 153.6x90 mm |
| Touch / Glass | Projected Capacitive Multi Touch Screen | | |
| System Specification | | | |
| Processor | Intel® Celeron® N2930 (2M Cache, up to 2.16 GHz) | Memory | 1 x SO-DIMM, DDR3L 1600 MHz, 4GB 8GB (Optional) |
| Storage | 1 x mSATA SSD 64GB. mSATA SSD up to 512GB. (Optional) | Ethernet controller | 2 x Intel® Gigabit Ethernet Controller |
| Operating System | Windows 7 Embedded Systems (Optional) Windows 10 IoT Enterprise (Optional) Linux Ubuntu 18.04 (Optional) | WLAN | Support (Optional) |
| BT | Support (Optional) | | |
| Mechanical | | | |
| Dimension | 185 x 128 x 48 mm | Mounting | Panel mount VESA Mount |
| Enclosure | Metal Housing | Cooling System | Fanless design |
| Cut out | 177x118mm | | |
| Environment | | | |
| Operating Humidity | 10% to 90% (non-condensing) | Operating Temperature | 0~50°C |
| Storage Temperature | -20~60°C | IP rating | Front IP65 |
| Certification | | | |
| Certification | CE, FCC | | |
| IO Ports | | | |
| Power Input | 1 x 12V DC, 2.5φ DC jack | USB Port | 1 x USB3.0 (Type-A) 1 x USB2.0 (Type-A) |
| Serial Port | 1 x RS232/422/485 (Default RS232) | Video | 1 x HDMI 1.4 (Optional) |
| Expansion Port | 1 x mPCIe slot(for half size Wifi module) | LAN | 2 x Giga LAN RJ45 Connector |
| mini PCIe | 1 x Mini PCIe(For WLAN) | | |

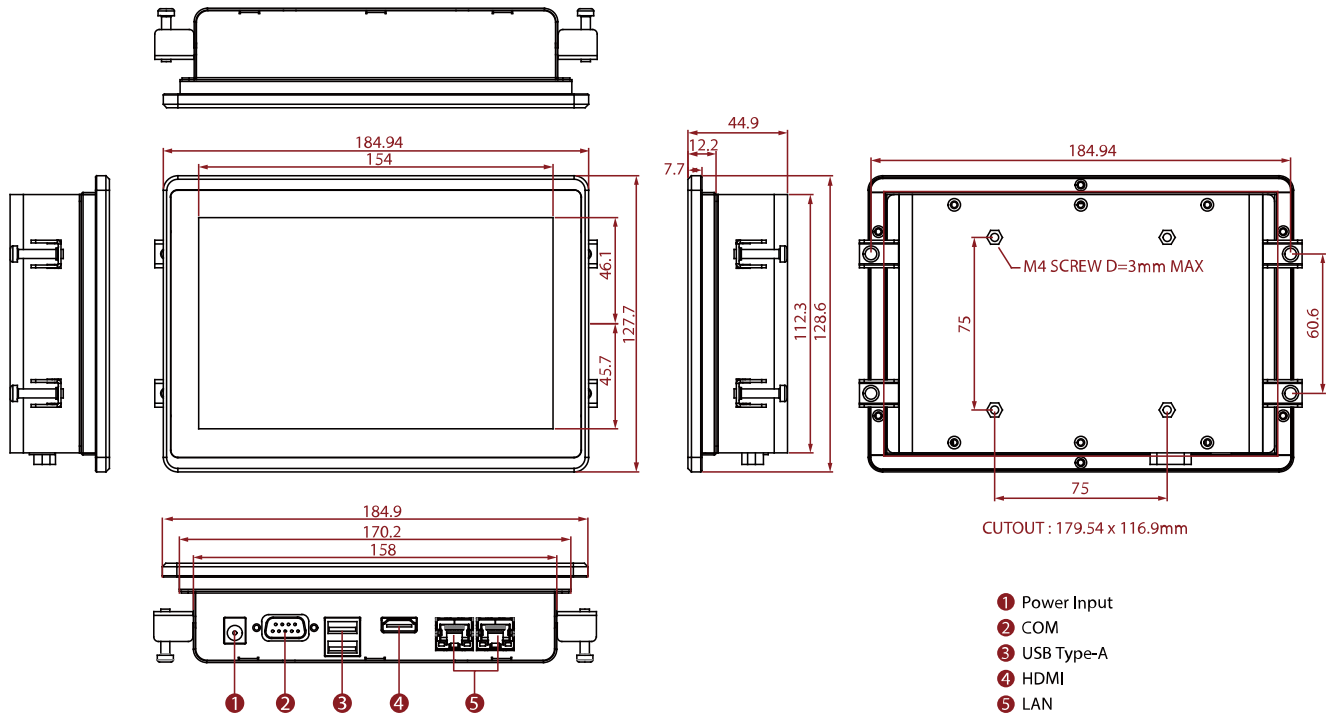
Accessory

| | |
|------------------|--|
| Accessory | 100~240V AC to DC Adapter Power Cord Driver CD & Manual VESA screws Mounting clips |
|------------------|--|

Power

| | | | |
|---------------------|----------------------------|----------------|---------|
| Power Rating | 12V DC 9~36V (Optional) | Adapter | 12V 50W |
|---------------------|----------------------------|----------------|---------|

DIMENSIONS UNIT:MM



NOTE

1. This is a simplified drawing and some components are not marked in detail.
2. The product shown in this datasheet is a standard model. For diagrams that contain customized or optional I/O, please contact the Winmate Sales Team for more information.
3. All specifications are subject to change without prior notice.