

W07FA3S-EHT1

7" NXP i.MX6 E Series HMI Panel PC



KEY FEATURES

- 7" 1024 x 600 PCAP touchscreen
- NXP i.MX6 Dual Core
- Fanless cooling system
- Front IP65
- 1 x USB ; 1 x RS232 /422/485; 1 x CAN BUS



SPECIFICATIONS

Display			
Resolution	1024x600	Size	7 inches
Contrast Ratio	1000:1	Panel Brightness	320 nits
View Angles	75,75,75,70	Active Area	153.6x90 mm
Touch / Glass	Projected Capacitive Multi Touch Screen		
System Specification			
Processor	NXP i.MX6 Dual Core, 1.0GHz	Memory	1GB 2GB (Optional)
Storage	Onboard 16GB eMMC Onboard 32GB eMMC (Optional)	Operating System	Linux Ubuntu 18.04 (Optional) Android 6.0 (Optional) Debian 7.0 (Optional) Linux 4.1.15 QT 5.5 (Optional)
WLAN	Support (Optional)	BT	Support (Optional)
Mechanical			
Dimension	185 x 128 x 48 mm	Mounting	Panel mount VESA Mount
Enclosure	Metal Housing	Cooling System	Fanless design
Cut out	177x118mm		
Environment			
Operating Humidity	10% to 90% (non-condensing)	Operating Temperature	0~50°C
Storage Temperature	-20~60°C	IP rating	Front IP65
Certification			
Certification	CE, FCC		
IO Ports			
Power Input	1 x 12V DC, 2-Pin Terminal Block	USB Port	1 x Console Port (Mini USB) 1 x USB OTG 1 x USB2.0 (Type-A)
Serial Port	1 x RS232/422/485 (Default RS232)	SD Card Slot	1 x Micro SD card slot
Video	1 x Micro HDMI (Optional)	Expansion Port	1 x mPCIe slot(for half size Wifi module)
LAN	1 x LAN RJ45 Connector with PoE(PD, 802.3 at)	CANBUS	1 x CANBUS, D-sub9

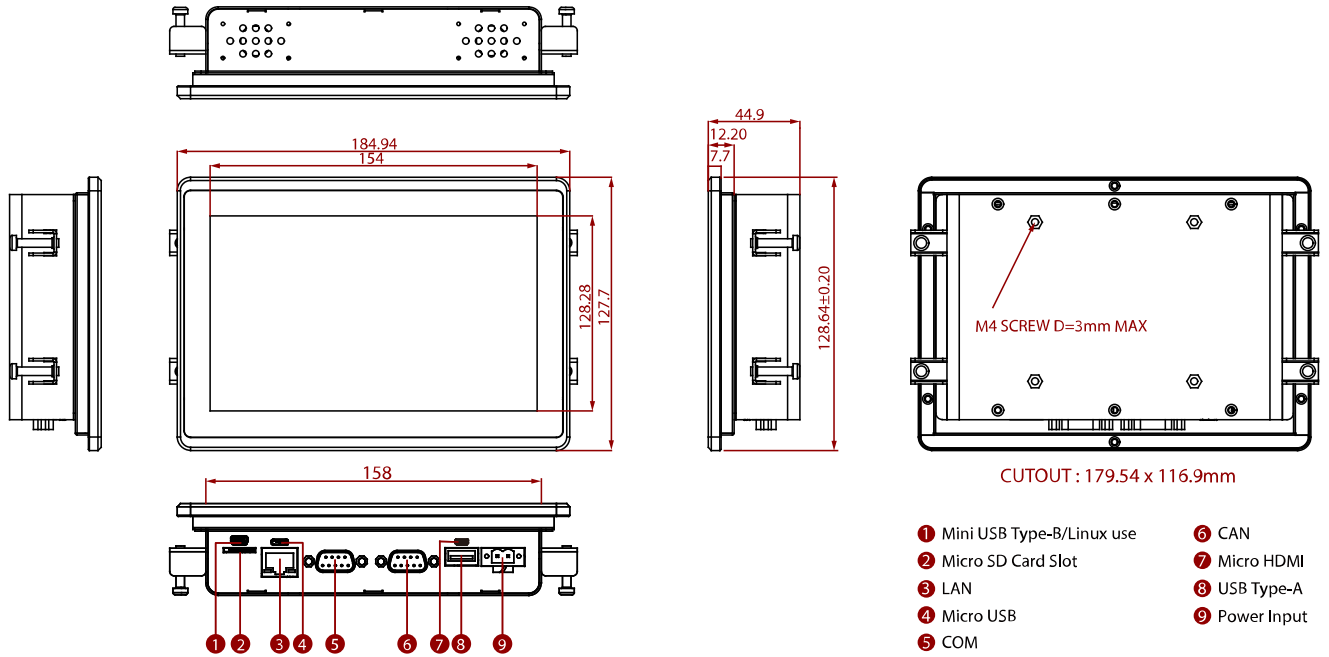
Accessory

Accessory	100~240V AC to DC Adapter Power Cord VESA screws Manual Mounting clips
-----------	--

Power

Power Rating	12V DC	Adapter	12V 50W
--------------	--------	---------	---------

DIMENSIONS UNIT:MM



NOTE

1. This is a simplified drawing and some components are not marked in detail.
2. The product shown in this datasheet is a standard model. For diagrams that contain customized or optional I/O, please contact the Winmate Sales Team for more information.
3. All specifications are subject to change without prior notice.