

R19L100-MLA3

19" G-WIN Defense Display



KEY FEATURES

- 19" 1280 x 1024 resolution
- Compliant MIL-STD 810G/ MIL-STD 461E
- Fanless, streamlined enclosure for highly efficient heat dissipation
- Convenient on-screen display controls
- Wide operating temperature -40°C~70°C
- Power input 9~36 V DC with isolation
- Supports VESA mount
- Built-in intelligent heater design
- Support PIP Function



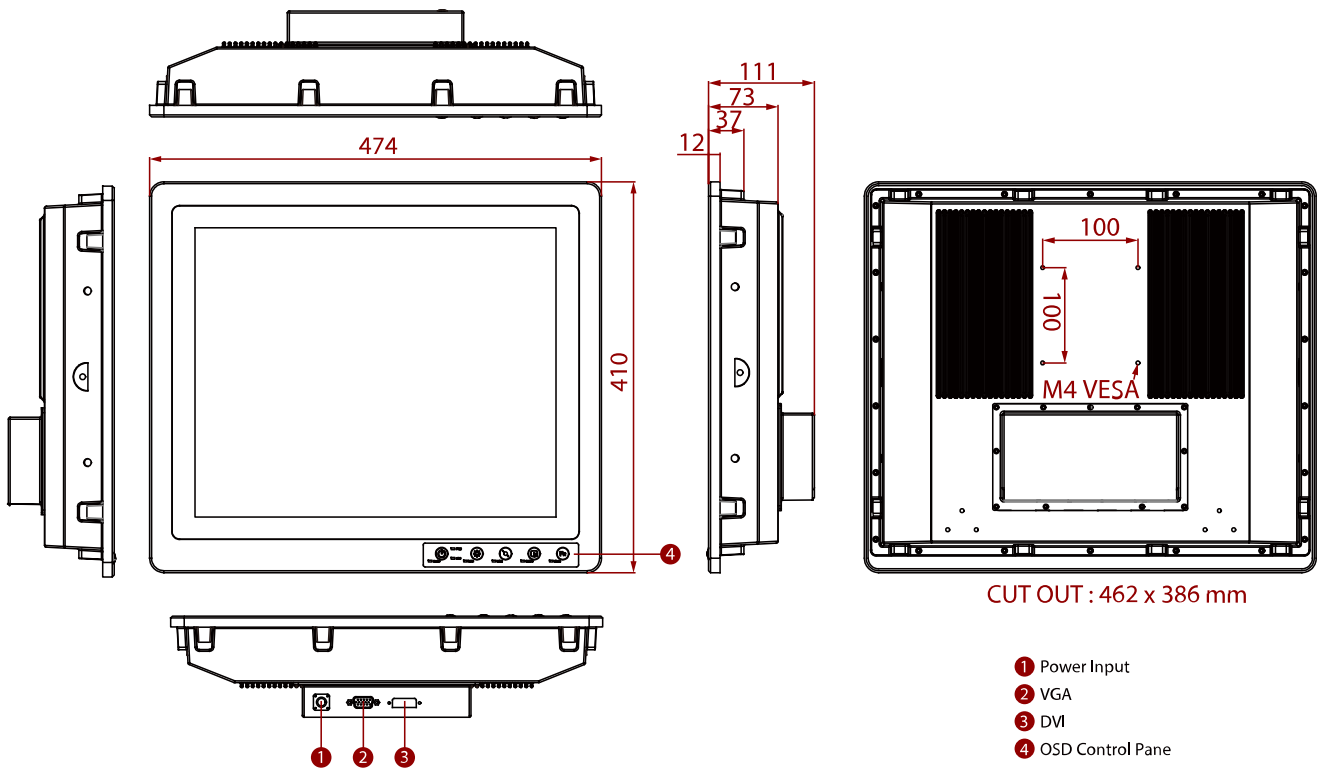
SPECIFICATIONS

Display	
Resolution	1280x1024
Contrast Ratio	1000:1
Display Color	16.7M Colors
Active Area	376.32x301.06 mm
Size	19 inches
Panel Brightness	350 nits
View Angles	85,85,80,80
Touch / Glass	AR Protection Glass 5 Wires Resistive Touch (Optional) 5 Wire Resistive with EMI Mesh Filter (Optional) EMI Glass (Optional)
Environment	
Operating Humidity	10% to 95% RH
Storage Temperature	-40°C~70°C
Vibration	Operating: 1.60/1.96/2.18 g rms for XYZ / 5-500Hz
Operating Temperature	-40°C~70°C
Shock	Operating:30g for 18ms
Compliance	
MIL-STD 461E/F	RE101 / RE102 CE101 / CE102 with EMI Glass / Touch(Optional) RS101 / RS 103 CS101 / CS 106 / CS 109 / CS 114 / CS 115 / CS 116
MIL-STD 810F/G	Vibration Method 514.5 Humidity Method 507.4 Transit Drop Method 516.5
Certification	
Certification	CE, FCC
IO Ports	
Serial Port	1 x RS232 Remote Control (Optional)
Video	1 x D-Sub 15 VGA 1 x DVI-D
Mechanical	
Dimension	474 x 410 x 111 mm
Enclosure	Metal Housing with Aluminum Bezel
Mounting	VESA Mount/ Wall Mount
Cooling System	Fanless Design
Accessory	
Accessory	User Manual AC Adapter 12V/ 84W

Open Wire Cable
 Power Converter Cable, 0.15m
 VGA, 1.8m
 DVI Cable, 1.8m
 COM Cable, 1.8m

Power	
Power Rating	9~36V DC Power input with isolation
Control	
Button	8 key: Power Menu Auto Volume Up/ Swap Volume Down/ PIP Brightness Up Brightness Down LED Adjustment

DIMENSIONS UNIT:MM



NOTE

1. This is a simplified drawing and some components are not marked in detail.
2. If you require an external test report, Winmate will charge an NRE fee.
3. Please contact our sales representative if you need further product information.
4. All specifications are subject to change without prior notice.
5. The product shown in this datasheet is a standard model. For diagrams that contain customized or optional I/O, please contact the Winmate Sales Team for more information.