

# R19IF7T-PMA1

## 19" Intel® Core™ i3/i5/i7 (Coffee Lake Refresh) Panel Mount Panel PC



### KEY FEATURES

- 19" 1280 x 1024 Resolution
- Intel® 9th Generation Core™ i3/i5/i7 Processor (Coffee Lake Refresh)
- Flexible storage devices, one 2.5-inch HDD and one SSD
- Multiple I/Os, 2 x Serial Ports, 4 x USB 3.2 Gen. 1 Ports
- 12 V DC Power input
- DP Support 4096 x 2304 @ 60 Hz
- HDMI Support 4096 x 2304 @ 24 Hz

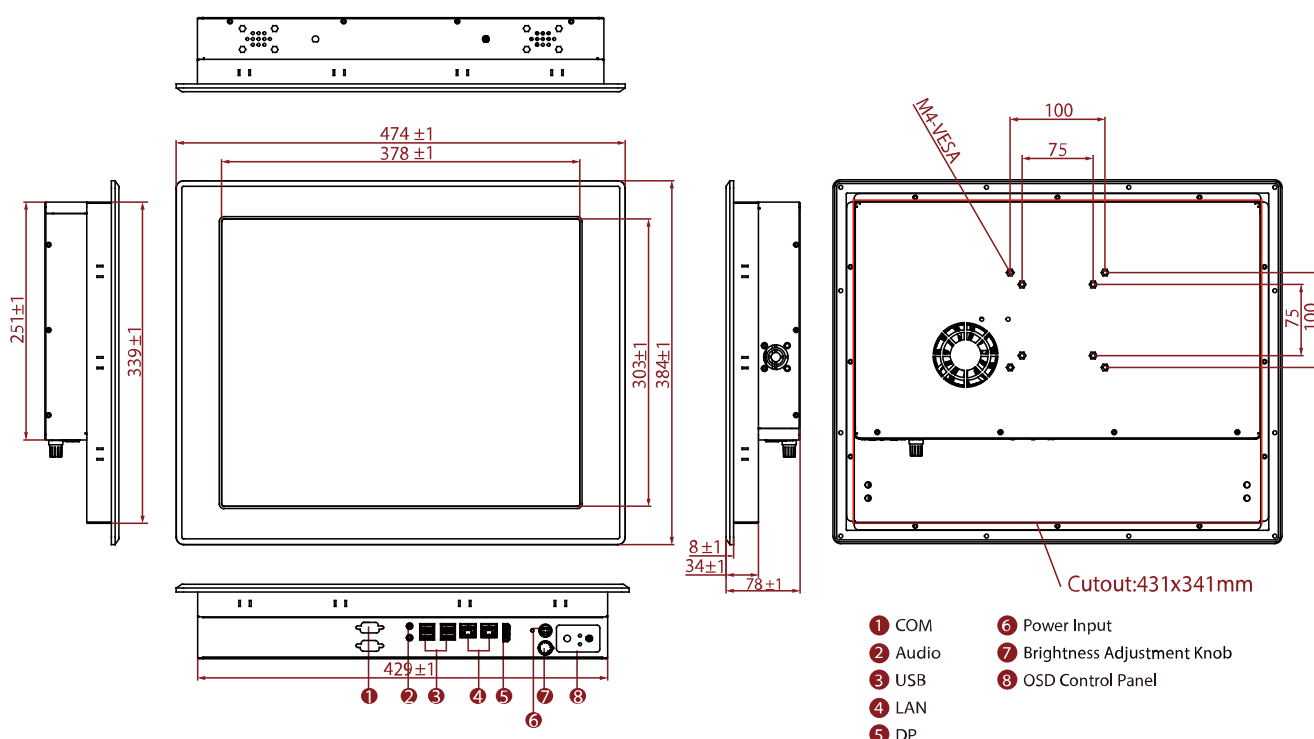


### SPECIFICATIONS

Display			
<b>Resolution</b>	1280x1024	<b>Size</b>	19 inches
<b>Contrast Ratio</b>	1000:1	<b>Panel Brightness</b>	400 nits
<b>View Angles</b>	85,85,80,80	<b>Active Area</b>	376.32x301.06 mm
<b>Touch / Glass</b>	Resistive Touch Screen Protection Glass w/o Touch Function (Optional)		
System Specification			
<b>Processor</b>	Intel® Core™ i7-9700TE (12M Cache, up to 3.80 GHz) Intel® Core™ i5-9500TE (9M Cache, up to 3.60 GHz) Intel® Core™ i3-9100TE (6M Cache, up to 3.20 GHz)	<b>Chipset</b>	Intel® Q370
<b>Memory</b>	1 x SO-DIMM, DDR4 2400 MHz, 4GB 8GB (Optional) 16GB (Optional) 32GB (Optional) 2 x SO-DIMM, up to 64GB (Optional)	<b>Storage</b>	1 x M.2 2242 B-key SSD 64GB M.2 2242 B-key SSD up to 512GB (Optional) M.2 2280 M-Key NVME SSD, up to 4TB (Optional) 2 x SATA III support RAID 0,1 (Optional)
<b>Ethernet controller</b>	Intel® Ethernet Controller I211-AT + Intel® Ethernet Connection I219-LM	<b>Security</b>	TPM 2.0
<b>Operating System</b>	Windows 10 IoT Enterprise (Optional) Linux Ubuntu 18.04 (Optional) Linux Ubuntu 20.04 (Optional)	<b>WLAN</b>	Support (Optional)
<b>BT</b>	Support (Optional)		
Mechanical			
<b>Dimension</b>	474 x 384 x 78 mm	<b>Mounting</b>	Panel mount VESA Mount
<b>Enclosure</b>	Metal Housing	<b>Cooling System</b>	Fan design
<b>Cut out</b>	431x341mm		
Environment			
<b>Operating Humidity</b>	10% to 90% (non-condensing)	<b>Operating Temperature</b>	0~50°C
<b>Storage Temperature</b>	-10~60°C		
Certification			
<b>Certification</b>	CE, FCC		

IO Ports			
<b>Power Input</b>	1 x 12V DC, Din4 pin connector	<b>USB Port</b>	4 x USB3.0 (Type-A)
<b>Serial Port</b>	1 x RS232/422/485 (Default RS232) 1 x RS232	<b>Video</b>	1 x DP1.2 1 x HDMI 1.4 (Optional)
<b>Audio</b>	1 x Mic in 1 x Line out 2 x Speaker	<b>Expansion Port</b>	2 x M.2 slot(1 for WiFi, 1 for SSD) 1 x PCIe 16 (Optional)
<b>LAN</b>	2 x Giga LAN RJ45 Connector	<b>Indicator</b>	1 x LED Indicator for power 1 x LED Indicator for storage
<b>Brightness Knob</b>	1 x Brightness Adjustment Knob		
Control			
<b>Button</b>	1 x Power Button 1 x Reset Button		
Accessory			
<b>Accessory</b>	100~240V AC to DC Adapter Power Cord VESA screws Manual Mounting clips		

## DIMENSIONS UNIT:MM



## NOTE

1. Measurements shown in mm
2. Tolerance of all dimensions is shown as follow 0~30 mm ± 0.1 mm, 30~50 mm ± 0.15 mm, 50~120 mm ± 0.2 mm, above 120 mm ± 0.25 mm
3. Note: this is a simplified drawing and some components are not marked in detail.
4. Please, contact our sales representative if you need further product information.
5. The product shown in this datasheet is a standard model. For diagrams that contain customized or optional I/O, please contact the Winmate Sales Team for more information.