

# R17L500-MRM1

## 17" Marine Display



### KEY FEATURES

- Dimming knob control backlight brightness from nearly 0% to 100%
- IP66 aluminum housing with powder coating design (IP54 rear)
- 9 to 36V DC to DC power input acceptable
- High quality touchscreen / AR protection glass for option
- Ease of use front panel OSD control
- Enhanced shock and vibration resistance



### SPECIFICATIONS

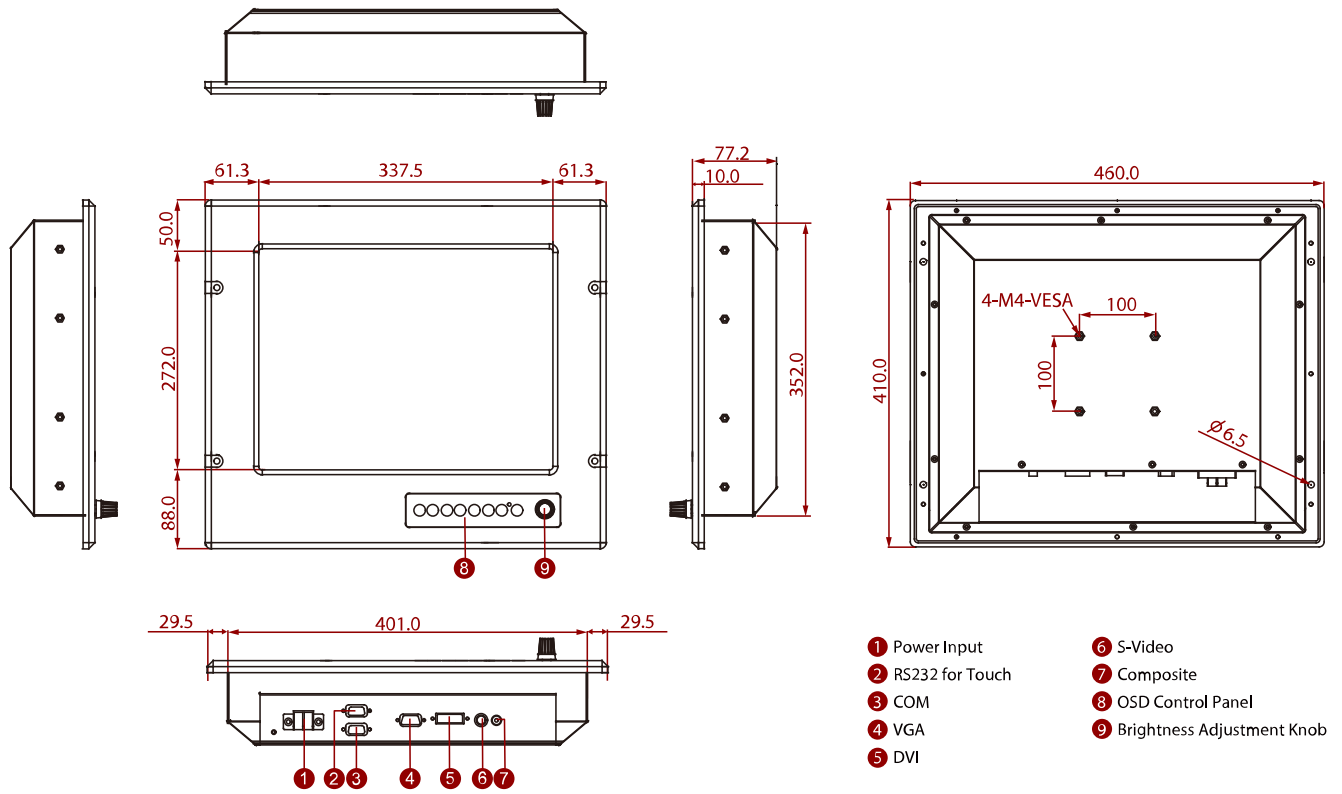
Display	
<b>Resolution</b>	1280x1024
<b>Contrast Ratio</b>	1000:1
<b>Display Color</b>	16.2M Colors
<b>Touch / Glass</b>	Resistive Touch Screen AR Glass (Optional)
<b>Size</b>	17.0 inches
<b>Panel Brightness</b>	350 nits
<b>View Angles</b>	85,85,80,80
Environment	
<b>Operating Humidity</b>	5% to 95%
<b>Operating Temperature</b>	-15~55°C
<b>Shock</b>	15G,11ms duration
<b>Vibration</b>	0.7g@DNVGL CG-0339 (Class A)
<b>IP rating</b>	IP66 (Front Side)
Certification	
<b>Certification</b>	DNVGL-CG-0339, IEC60945 4th, IACS E10, CE, FCC
IO Ports	
<b>Serial Port</b>	1 x RS232 for Remote Control 1 x RS232/USB for Touch Screen
<b>Video</b>	1 x VGA 1 x DVI-D 1 x Composite 1 x S-Video
Mechanical	
<b>Dimension</b>	460 x 410 x 77.2 mm
<b>Mounting</b>	VESA Mount/ Panel Mount
<b>Enclosure</b>	Metal Housing with Aluminum Bezel
<b>Cooling System</b>	Fanless Design
Power	
<b>Power Rating</b>	24V DC-in with Isolation (Approval by Certificate) 9~36V DC Input Accpetable
Accessory	
<b>Accessory</b>	1 x User Manual. 1 x CD for Touchscreen Driver Tools. 1 x DVI Cable. 1 x VGA Cable. 1 x RS232 Serial Cable. 1 x S-Video Cable. 1 x Composite Cable.

## Control

<b>Button</b>	8 key: Esc/PIP Auto adjustment Left Right/Source OK/Menu Up Down Power 1 x The Dimming Knob
---------------	--

## DIMENSIONS UNIT:MM

### Winmate R17L500-MRM1



## NOTE

1. This is a simplified drawing and some components are not marked in detail.
2. Please contact our sales representative if you need further product information.
3. All specifications are subject to change without prior notice.
4. The product shown in this datasheet is a standard model. For diagrams that contain customized or optional I/O, please contact the Winmate Sales Team for more information.