

R17IK3S-RKA1ML

17" Intel® Core™ i5-7200U Defense Console Rack Panel PC



KEY FEATURES

- 17" SXGA TFT LCD
- Intel® Core™ i5-7200U 2.5 GHz Processor
- Anti-Corrosion Housing / Fanless
- Compliant with MIL-STD-810G/F , MIL-STD-461E/F
- Flush Rack / Rack Mount Mechanical Design (8U)
- Convenient On-Screen Display Controls
- AC 110~240 V Power input default
- Isolation DC 9~36 V Power input (Optional)
- Built-in Light Sensor for auto brightness control
- Military Grade Power Connector (MIL-DTL-38999/1)



SPECIFICATIONS

Display

| | | | |
|-----------------------|---|-------------------------|--------------------|
| Resolution | 1280x1024 | Size | 17 inches |
| Contrast Ratio | 1000:1 | Panel Brightness | 350 nits |
| View Angles | 85,85,80,80 | Active Area | 337.920x270.336 mm |
| Touch / Glass | AR Protection Glass 5 Wires Resistive Touch (Optional) 5 Wire Resistive with EMI Mesh Filter (Optional) EMI Glass (Optional) | | |

System Specification

| | | | |
|------------------|--|----------------------------|--|
| Processor | Intel® Core™ i5-7200U (3M Cache, up to 3.10 GHz) Intel® Core™ i5-7300U (3M Cache, up to 3.50 GHz) | Memory | 1 x SO-DIMM, DDR4 2133 MHz, 4GB 8GB (Optional) 16GB (Optional) |
| Storage | 1 x M.2 2242 SSD 64GB M.2 2242 SSD up to 512GB (Optional) | Ethernet controller | Intel® Ethernet Controller I211-AT + Intel® Ethernet Connection I219-LM |
| Security | TPM 2.0 | Operating System | Windows 10 IoT Enterprise (Optional) Linux Ubuntu 18.04 (Optional) |

Environment

| | | | |
|----------------------------|---------------|------------------------------|------------|
| Operating Humidity | 10% to 95% RH | Operating Temperature | -20°C~60°C |
| Storage Temperature | -30°C~70°C | | |

Compliance

| | | | |
|-----------------------|--|-----------------------|--|
| MIL-STD 461E/F | RE101 / RE102 CE101 / CE102 with EMI Glass / Touch(Optional) RS101 / RS 103 CS101 / CS 106 / CS 109 / CS 114 / CS 115 / CS 116 | MIL-STD 810F/G | Vibration Method 514.5 Humidity Method 507.4 Transit Drop Method 516.5 |
|-----------------------|--|-----------------------|--|

Certification

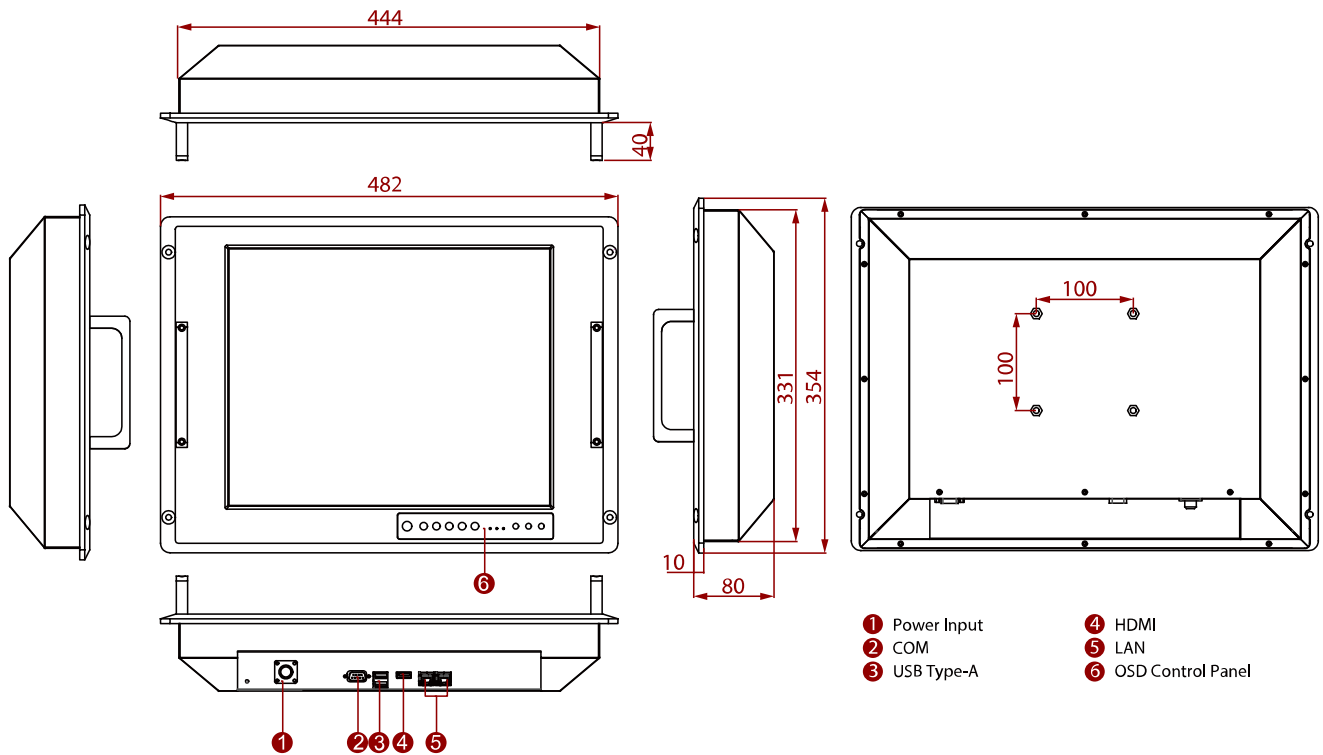
| | |
|----------------------|---------|
| Certification | CE, FCC |
|----------------------|---------|

IO Ports

| | | | |
|---------------------|--|-----------------------|---|
| USB Port | 2 x USB 3.0 | Serial Port | 1 x RS232/422/485 (Default RS232) 1 x RS232 (Optional) |
| Video | 1 x HDMI (Optional) | LAN | 2 x RJ-45 |
| Mechanical | | | |
| Dimension | 482 x 354 x 80 mm | Mounting | VESA Mount/ Panel Mount |
| Enclosure | Metal Housing with Aluminum Bezel | Cooling System | Fanless Design |
| Accessory | | | |
| Accessory | User Manual (Hardcopy) CD-ROM with Driver Utility Power Cord MIL-DTL-38999/1 | | |
| Power | | | |
| Power Rating | AC 100~240V, Universal, ±10% DC 9~36V, ±10% (Optional) | | |
| Control | | | |
| Button | 8 Key OSD Control Pad: Power, Brightness DOWN, Brightness UP, Night, Day, Auto / Manual, Reset, Lock | | |

DIMENSIONS UNIT:MM

Winmate R171K3S-RKA1ML



NOTE

1. This is a simplified drawing and some components are not marked in detail.
2. Please contact our sales representative if you need further product information.
3. All specifications are subject to change without prior notice.
4. The product shown in this datasheet is a standard model. For diagrams that contain customized or optional I/O, please contact the Winmate Sales Team for more information.