

R17IF7T-PMM1

17" Intel® Core™ i3/i5/i7 (Coffee Lake Refresh) Panel Mount Panel PC



KEY FEATURES

- 17" 1280 x 1024 Resolution
- Intel® 9th Generation Core™ i3/i5/i7 Processor (Coffee Lake Refresh)
- Flexible storage devices, one 2.5-inch HDD and one SSD
- Multiple I/Os, 2 x Serial Ports, 4 x USB 3.2 Gen. 1 Ports
- 12 V DC Power input
- DP Support 4096 x 2304 @ 60 Hz
- HDMI Support 4096 x 2304 @ 24 Hz

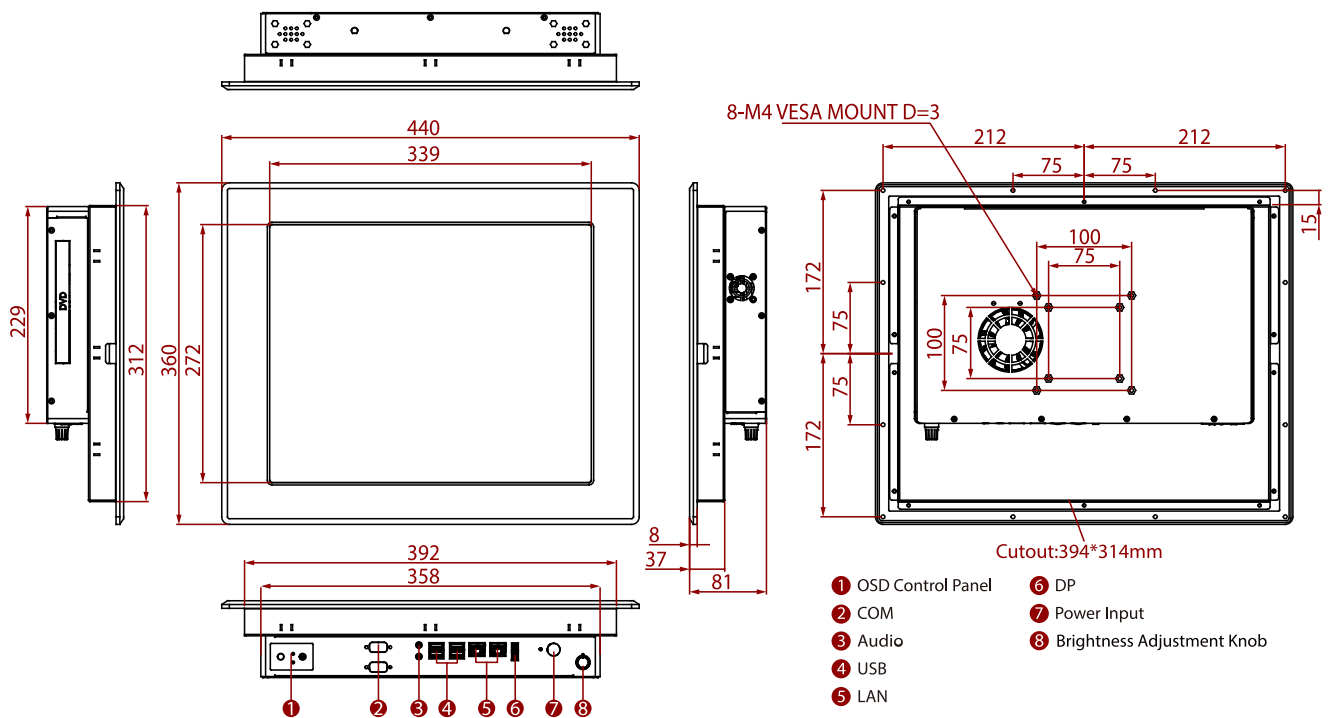


SPECIFICATIONS

Display			
Resolution	1280x1024	Size	17 inches
Contrast Ratio	1000:1	Panel Brightness	350 nits
View Angles	85,85,80,80	Active Area	337.920x270.336 mm
Touch / Glass	Resistive Touch Screen Protection Glass w/o Touch Function (Optional)		
System Specification			
Processor	Intel® Core™ i7-9700TE (12M Cache, up to 3.80 GHz) Intel® Core™ i5-9500TE (9M Cache, up to 3.60 GHz) Intel® Core™ i3-9100TE (6M Cache, up to 3.20 GHz)	Chipset	Intel® Q370
Memory	1 x SO-DIMM, DDR4 2400 MHz, 4GB 8GB (Optional) 16GB (Optional) 32GB (Optional) 2 x SO-DIMM, up to 64GB (Optional)	Storage	1 x M.2 2242 B-key SSD 64GB M.2 2242 B-key SSD up to 512GB (Optional) M.2 2280 M-Key NVME SSD, up to 4TB (Optional) 2 x SATA III support RAID 0,1 (Optional)
Ethernet controller	Intel® Ethernet Controller I211-AT + Intel® Ethernet Connection I219-LM	Security	TPM 2.0
Operating System	Windows 10 IoT Enterprise (Optional) Linux Ubuntu 18.04 (Optional) Linux Ubuntu 20.04 (Optional)	WLAN	Support (Optional)
BT	Support (Optional)		
Mechanical			
Dimension	440 x 360 x 81 mm	Mounting	Panel mount VESA Mount
Enclosure	Metal Housing	Cooling System	Fan design
Cut out	394x314mm		
Environment			
Operating Humidity	10% to 90% (non-condensing)	Operating Temperature	0~50°C
Storage Temperature	-10~60°C		
Certification			
Certification	CE, FCC		

IO Ports			
Power Input	1 x 12V DC, Din4 pin connector	USB Port	4 x USB3.0 (Type-A)
Serial Port	1 x RS232/422/485 (Default RS232) 1 x RS232	Video	1 x DP1.2 1 x HDMI 1.4 (Optional)
Audio	1 x Mic in 1 x Line out 2 x Speaker	Expansion Port	2 x M.2 slot(1 for WiFi, 1 for SSD) 1 x PCIe 16 (Optional)
LAN	2 x Giga LAN RJ45 Connector	Indicator	1 x LED Indicator for power 1 x LED Indicator for storage
Brightness Knob	1 x Brightness Adjustment Knob		
Control			
Button	1 x Power Button 1 x Reset Button		
Accessory			
Accessory	100~240V AC to DC Adapter Power Cord VESA screws Manual Mounting clips		

DIMENSIONS UNIT:MM



NOTE

1. Measurements shown in mm
2. Tolerance of all dimensions is shown as follow 0~30 mm \pm 0.1 mm, 30~50 mm \pm 0.15 mm, 50~120 mm \pm 0.2 mm, above 120 mm \pm 0.25 mm
3. Note: this is a simplified drawing and some components are not marked in detail.
4. Please, contact our sales representative if you need further product information.
5. The product shown in this datasheet is a standard model. For diagrams that contain customized or optional I/O, please contact the Winmate Sales Team for more information.