

# R17ID3S-MRM1

## 17" Intel® Atom® N2600 Marine Panel PC



### KEY FEATURES

- Intel® Atom® N2600 dual-core processor
- Dimming knob control backlight brightness from nearly 0% to 100%
- Transflective film technology enhances visibility
- Panel (flush) mount IP66 aluminum housing with powder coating design (IP54 rear)
- 9~36V DC power input acceptable



### SPECIFICATIONS

Display	
<b>Resolution</b>	1280x1024
<b>Contrast Ratio</b>	1000:1
<b>View Angles</b>	85,85,80,80
<b>Touch / Glass</b>	Resistive Touch Screen AR Glass (Optional)
<b>Size</b>	17 inches
<b>Panel Brightness</b>	350 nits
<b>Active Area</b>	337.920x270.336 mm
System Specification	
<b>Processor</b>	Intel Atom® N2600 (1M Cache, 1.6 GHz)
<b>Memory</b>	1 x SO-DIMM, DDR3L 1600 MHz, 4GB
<b>Ethernet controller</b>	BCM57780A1KMLG
<b>Chipset</b>	Intel® NM10
<b>Storage</b>	1 x mSATA SSD 64GB mSATA SSD up to 512GB (Optional)
<b>Operating System</b>	Windows 7 Embedded Systems (Optional) Linux Ubuntu 16.04 (Optional)
Environment	
<b>Operating Humidity</b>	5% to 95%
<b>Shock</b>	15G,11ms duration
<b>IP rating</b>	IP66 (Front Side)
<b>Operating Temperature</b>	-15~55°C
<b>Vibration</b>	0.7g@DNVGL CG-0339 (Class A)
Certification	
<b>Certification</b>	DNVGL-CG-0339, IEC60945 4th, IACS E10, CE, FCC
IO Ports	
<b>USB Port</b>	2 x USB2.0
<b>Video</b>	1 x VGA
<b>Serial Port</b>	1 x RS232/422/485 2 x RS232 or 2 x Isolation RS422/485
<b>LAN</b>	2 x RJ45-10/100/1000 Mbps
Mechanical	
<b>Dimension</b>	337.5 x 272 x 77.2 mm
<b>Enclosure</b>	Metal Housing with Aluminum Bezel
<b>Mounting</b>	VESA Mount/ Panel Mount
<b>Cooling System</b>	Fanless Design
Accessory	
<b>Accessory</b>	Driver CD & User Manual 4 x M6 Black Screw Bolt with M6 Nut
Power	

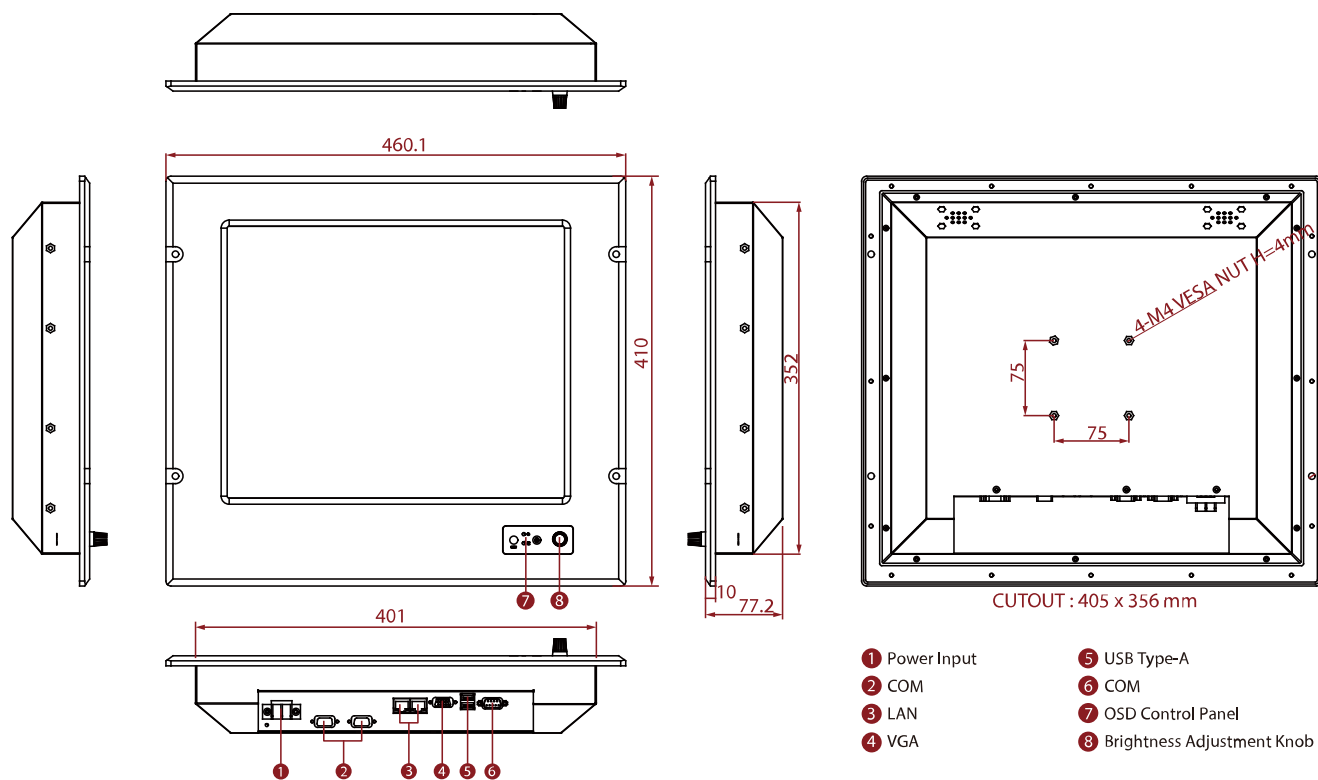
**Power Rating** 24V DC-in with Isolation (Approval by Certificate)  
9~36V DC Input Accpetable

**Control**

**Button** 1 x Power Button  
1 x Reset Button  
1 x The Dimming Knob

**DIMENSIONS** UNIT:MM

**Winmate R17ID3S-MRM1**



**NOTE**

1. This is a simplified drawing and some components are not marked in detail.
2. Only 24 V DC has been approved by DNVGL certification.
3. Please contact our sales representative if you need further product information.
4. All specifications are subject to change without prior notice.
5. The product shown in this datasheet is a standard model. For diagrams that contain customized or optional I/O, please contact the Winmate Sales Team for more information.