

R15RK3S-EHC3

15" ARM A72+A53 E Series HMI Panel PC



KEY FEATURES

- 15" 1024 x 768 Resolution with Projected Capacitive Multi-Touch (PCAP)
- ARM® Dual-core A72 up to 2.0 GHz + Quad-core A53 up to 1.5 GHz
- Fanless cooling system and ultra-low power consumption
- Front IP65 Water and Dust Proof
- 1 x USB 3.0, 1 x USB 2.0; 1 x RS232/422/485; 1 x RJ45; 1 x Micro SD Slot; 1 x Micro HDMI; 1 x USB OTG
- Supports PoE function



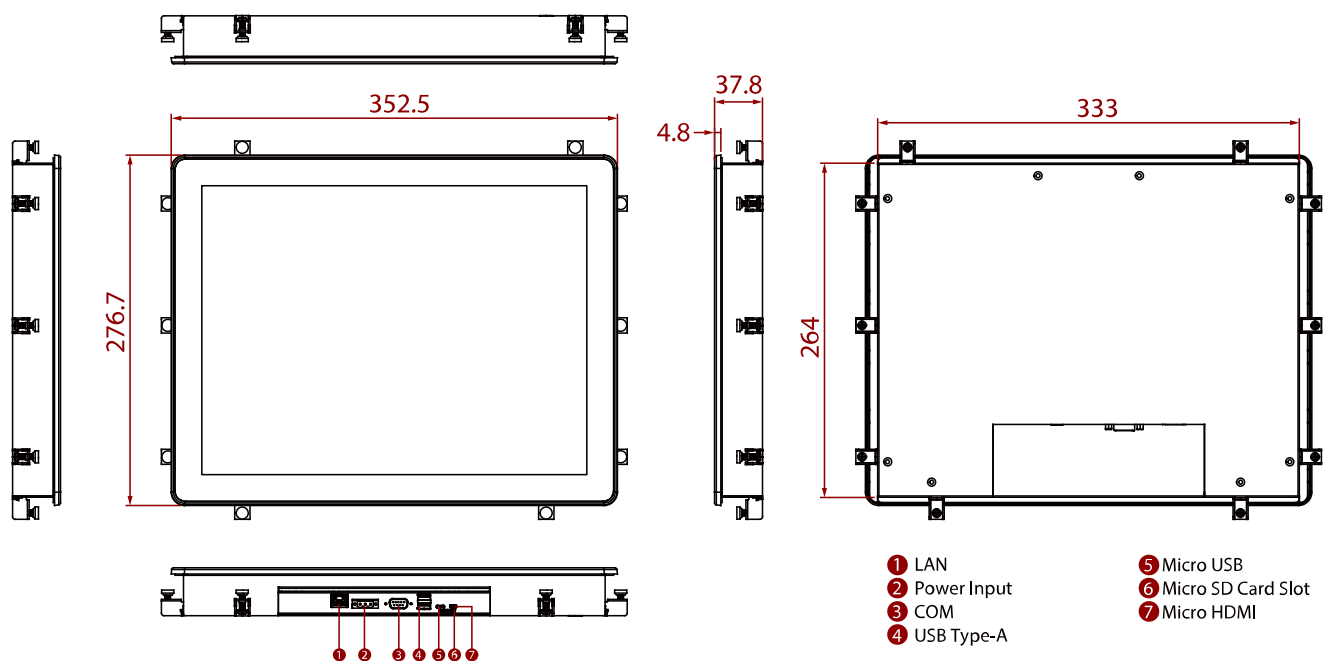
SPECIFICATIONS

System Specification			
Processor	ARM A72 (up to 2.0 GHz) + ARM A53 (up to 1.5 GHz)	Memory	2GB LPDDR3L 1600 4GB (Optional)
Storage	Onboard 16GB eMMC Onboard 32GB eMMC (Optional) Micro SD Card SDHC (Optional)	Operating System	Android 7.1
WLAN	Support (Optional)	BT	Support (Optional)
Display			
Resolution	1024x768	Size	15 inches
Contrast Ratio	2000:1	Panel Brightness	300 nits
View Angles	88,88,88,88	Active Area	304.1x228.1 mm
Touch / Glass	Projected Capacitive Multi Touch Screen		
Mechanical			
Dimension	353 x 277 x 42 mm	Mounting	Panel mount VESA Mount
Enclosure	Plastic Front Bezel with Metal Back Cover	Cooling System	Fanless design
Cut out	336x266mm		
Environment			
Operating Humidity	10% to 90% (non-condensing)	Operating Temperature	0~50°C
Storage Temperature	-20~60°C	IP rating	Front IP65
Certification			
Certification	CE, FCC		
IO Ports			
Power Input	1 x 12V DC, 3-Pin Terminal Block	USB Port	1 x USB3.0 (Type-A) 1 x USB2.0 (Type-A) 1 x USB OTG
Serial Port	1 x RS232/422/485 (Default RS232)	SD Card Slot	1 x Micro SD card slot
Video	1 x Micro HDMI (Optional)	Expansion Port	1 x M.2 slot(1 for WiFi)
LAN	1 x LAN RJ45 Connector with PoE(PD, 802.3 at)		
Accessory			

Accessory	100~240V AC to DC Adapter Power Cord VESA screws Manual Mounting clips
------------------	--

Power			
Power Rating	12V DC	Adapter	12V 50W

DIMENSIONS UNIT:MM



NOTE

1. This is a simplified drawing and some components are not marked in detail.
2. The product shown in this datasheet is a standard model. For diagrams that contain customized or optional I/O, please contact the Winmate Sales Team for more information.
3. All specifications are subject to change without prior notice.