

# R15L100-VMC3HB

## 15" G-WIN VM Series Display



### KEY FEATURES

- High Quality 15" XGA panel, 1024 x 768 resolution
- 5 Wire resistive touch screen
- -10 ~ +55°C Wide Range Operating Temperature
- Anti-Corrosion housing with Fanless Design
- Built-in ambient Light sensor
- Front IP65 Dust & Waterproof Protection (Except I/O ports)
- 9V ~ 36V DC Isolation Wide Range Power Input

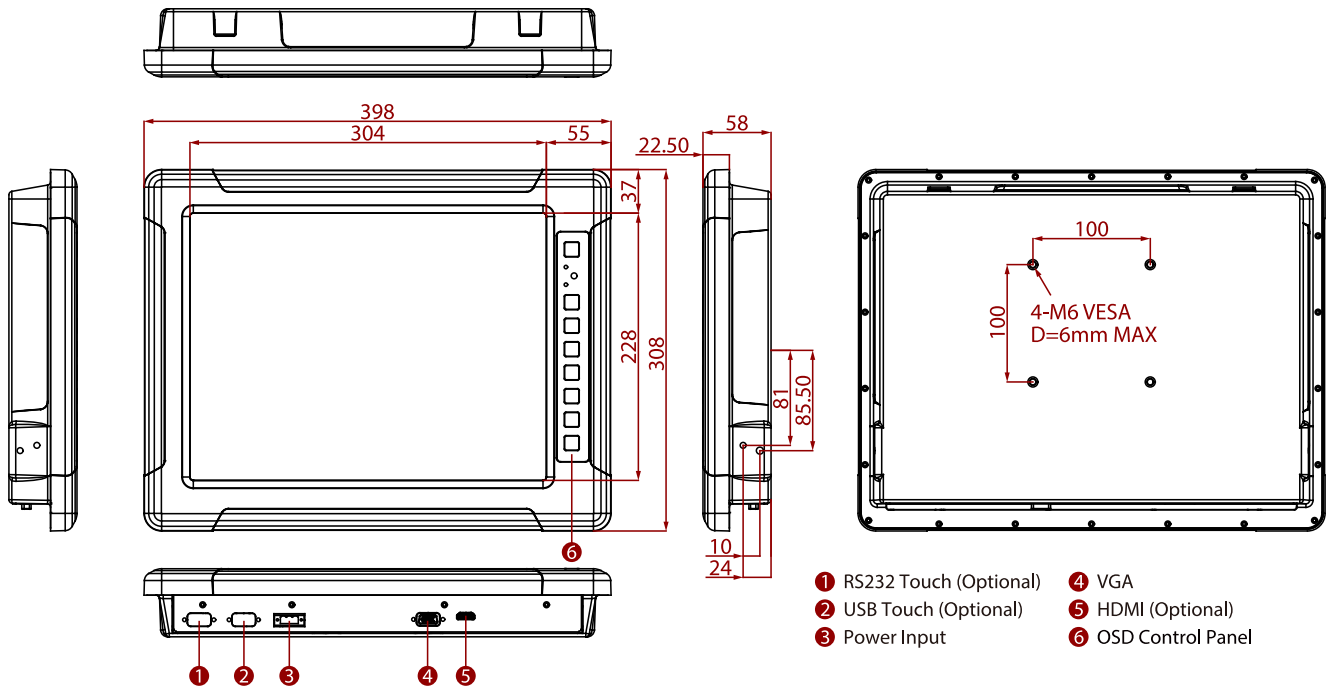


### SPECIFICATIONS

Display			
<b>Resolution</b>	1024x768	<b>Size</b>	15.0 inches
<b>Contrast Ratio</b>	2000:1	<b>Panel Brightness</b>	300 nits
<b>Display Color</b>	16.2M Colors	<b>View Angles</b>	88,88,88,88
<b>Touch / Glass</b>	Resistive Touch Screen Transflective Film for sunlight readable (Optional)  AR Glass (Optional)		
Environment			
<b>Operating Humidity</b>	10% to 95% (Non-Condensing)	<b>Operating Temperature</b>	-10°C~55°C
<b>Storage Temperature</b>	-30°C~70°C	<b>Shock</b>	Operating:40g for 18ms
<b>Vibration</b>	Operating: 1.62/2.02/2.20g rms for XYZ / 5-500Hz		
Certification			
<b>Certification</b>	CE, FCC		
IO Ports			
<b>USB Port</b>	1 x USB for Touch Screen (Optional)	<b>Serial Port</b>	1 x RS232 for Touch Screen (Optional)
<b>Video</b>	1 x VGA  1 x DVI (Optional) 1 x S-Video (Optional)  1 x Composite (Optional)		
Mechanical			
<b>Dimension</b>	397 x 307 x 58 mm	<b>Mounting</b>	VESA Mount
<b>Enclosure</b>	Metal Housing with Aluminum Bezel	<b>Cooling System</b>	Fanless Design
Accessory			
<b>Accessory</b>	User Manual(Hardcopy) Touch Driver CD 3 Pin Terminal Block AC Adapter Power Cord Mounting Bracket		

<b>Power</b>	
<b>Power Rating</b>	9V~36V DC In Terminal Block
<b>Control</b>	
<b>Button</b>	8 key: Power Menu Auto Volume Up/ Swap Volume Down/ PIP Brightness Up Brightness Down LED Adjustment

**DIMENSIONS** UNIT:MM



**NOTE**

1. This is a simplified drawing and some components are not marked in detail.
2. The product shown in this datasheet is a standard model. For diagrams that contain customized or optional I/O, please contact the Winmate Sales Team for more information.
3. All specifications are subject to change without prior notice.