

R15L100-MLA3HB

15" G-WIN Defense Display



KEY FEATURES

- 15" 1024 x 768 resolution
- Compliant MIL-STD 810G/ MIL-STD 461E
- Fanless design and efficient heat dissipation
- Supports VESA mount
- AR protection glass
- Military-grade connectors
- Convenient on-screen display controls
- Power input 12 V DC military-grade connector (Optional 9-36 V DC wide range)



SPECIFICATIONS

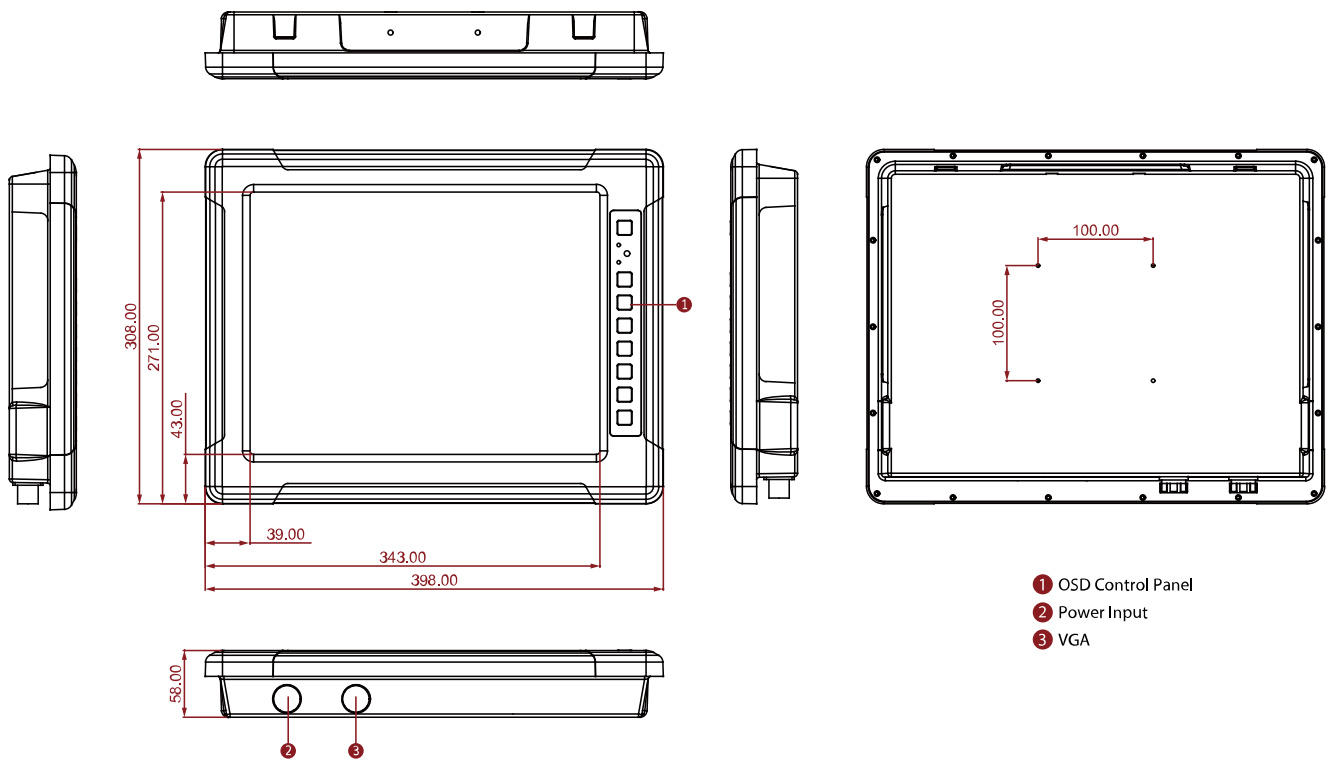
Display	
Resolution	1024x768
Contrast Ratio	2500:1
Display Color	16.7M Colors
Active Area	304.1x228.1 mm
Size	15 inches
Panel Brightness	1000 nits
View Angles	88,88,88,88
Touch / Glass	AR Protection Glass 5 Wires Resistive Touch (Optional) 5 Wire Resistive with EMI Mesh Filter (Optional) EMI Glass (Optional)
Environment	
Operating Humidity	10% to 95% RH
Storage Temperature	-30°C~70°C
Vibration	Operating: 1.60/1.96/2.18 g rms for XYZ / 5-500Hz
Operating Temperature	-20°C~60°C
Shock	Operating:30g for 18ms
Compliance	
MIL-STD 461E/F	RE101 / RE102 CE101 / CE102 with EMI Glass / Touch(Optional) RS101 / RS 103 CS101 / CS 106 / CS 109 / CS 114 / CS 115 / CS 116
MIL-STD 810F/G	Vibration Method 514.5 Humidity Method 507.4 Transit Drop Method516.5
Certification	
Certification	CE, FCC
IO Ports	
USB Port	1 x USB for Touch Screen(Military Grade) (Optional)
Serial Port	1 x RS232 for Touch Screen(Military Grade) (Optional)
Video	1 x VGA(Military Grade)
Mechanical	
Dimension	398 x 308 x 58 mm
Enclosure	Metal Housing with Aluminum Bezel
Mounting	VESA Mount
Cooling System	Fanless Design
Accessory	
Accessory	User Manual

Touch Driver CD
 Open Wire Cable
 AC Adapter
 Power Cord

Power	
Power Rating	12V DC (MIL-DTL-38999/1 connector) 9V to 36V wide range (Optional)
Control	

Button	8 key: Power Menu Auto Volume Up/ Swap Volume Down/ PIP Brightness Up Brightness Down LED Adjustment
---------------	--

DIMENSIONS UNIT:MM



- ① OSD Control Panel
- ② Power Input
- ③ VGA

NOTE

1. This is a simplified drawing and some components are not marked in detail.
2. If you require an external test report, Winmate will charge an NRE fee.
3. Please contact our sales representative if you need further product information.
4. All specifications are subject to change without prior notice.
5. The product shown in this datasheet is a standard model. For diagrams that contain customized or optional I/O, please contact the Winmate Sales Team for more information.