

# R15IP3S-GCC3

## 15" Intel® Pentium® N4200 G-WIN GC-Series Front IP65 PCAP Panel PC



### KEY FEATURES

- 15" 1024 x 768 PCAP multi-touchscreen
- Intel® Pentium® N4200 Apollo Lake Processor
- Fanless cooling system and ultra-low power consumption
- Dual Gigabit Ethernet
- Front IP65 water and dust proof
- Stylish design for room booking, access control, and room information applications

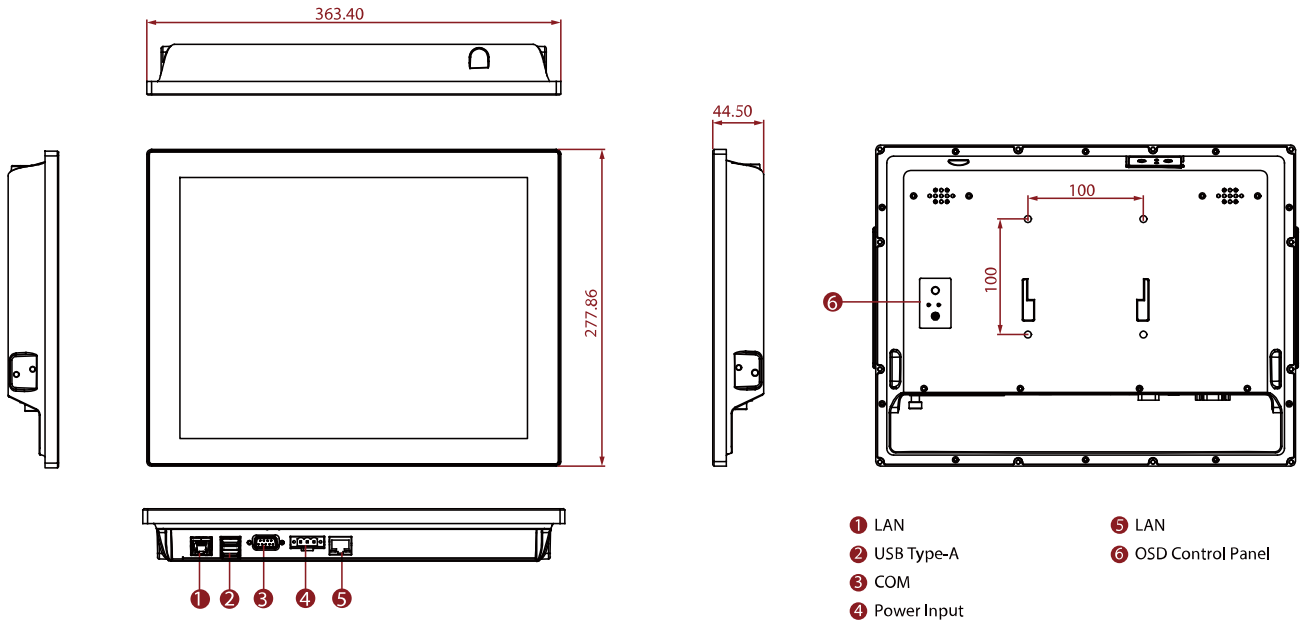


### SPECIFICATIONS

Display			
<b>Resolution</b>	1024x768	<b>Size</b>	15 inches
<b>Contrast Ratio</b>	2000:1	<b>Panel Brightness</b>	300 nits
<b>View Angles</b>	88,88,88,88	<b>Active Area</b>	304.1x228.1 mm
<b>Touch / Glass</b>	Projected Capacitive Multi Touch Screen		
System Specification			
<b>Processor</b>	Intel® Pentium® N4200 (2M Cache, up to 2.5 GHz)	<b>Memory</b>	1 x SO-DIMM, DDR3L 1600 MHz, 4GB 8GB (Optional)
<b>Storage</b>	1 x M.2 B-Key 2242 SSD 64GB M.2 B-Key 2242 SSD up to 512GB (Optional)	<b>Ethernet controller</b>	2 x Intel® 2.5Gbps Ethernet Controller
<b>Security</b>	TPM 2.0	<b>Operating System</b>	Windows 10 IoT Enterprise (Optional) Linux Ubuntu 18.04 (Optional)
<b>WLAN</b>	Support (Optional)	<b>BT</b>	Support (Optional)
Environment			
<b>Operating Humidity</b>	10% to 90% (Non-Condensing)	<b>Operating Temperature</b>	0~50°C
<b>Storage Temperature</b>	-20~60°C	<b>Shock</b>	MIL-STD-810G Method 516.6
<b>Vibration</b>	MIL-STD-810G Method 514.6	<b>IP rating</b>	Front IP65
Certification			
<b>Certification</b>	CE, FCC		
IO Ports			
<b>USB Port</b>	2 x USB 3.0	<b>Serial Port</b>	1 x RS-232/422/485
<b>Audio</b>	2 x Speaker	<b>LAN</b>	1 x RJ-45-10/100/1000 Mbps, 1 x RJ-45
Mechanical			
<b>Dimension</b>	363.40 x 277.86 x 44.50 mm	<b>Mounting</b>	VESA Mount (100x100mm), Panel Mount
<b>Enclosure</b>	Metal	<b>Cooling System</b>	Fanless Design
Accessory			
<b>Accessory</b>	Quick Start Guide(Hardcopy) Driver CD & User Manual AC Adapter 12V/50W Power Cord		

<b>Control</b>	
<b>Button</b>	1 x Power Button 1 x Reset Button
<b>Power</b>	
<b>Power Rating</b>	12V DC with Terminal Block

**DIMENSIONS** UNIT:MM



- ① LAN
- ② USB Type-A
- ③ COM
- ④ Power Input
- ⑤ LAN
- ⑥ OSD Control Panel

**NOTE**

1. This is a simplified drawing and some components are not marked in detail.
2. Please contact our sales representative if you need further product information.
3. All specifications are subject to change without prior notice.
4. The product shown in this datasheet is a standard model. For diagrams that contain customized or optional I/O, please contact the Winmate Sales Team for more information.