

R15IK3S-GCC3(HB)

15" Intel® Core™ i5-7200U Standalone Panel PC HMI



KEY FEATURES

- 15" 1024 x 768 with P-CAP touchscreen
- High computing performance with 7th Generation(kaby Lake) Intel® Core™ i5-7200U processor
- Fanless cooling system and ultra-low power consumption
- Front IP65 for protection against water and dust
- A true flat, easy-to-clean front surface with edge-to-edge design
- Plenty of I/O, including 2 x LAN, 1 x COM, 2 x USB 3.0, 1 x HDMI



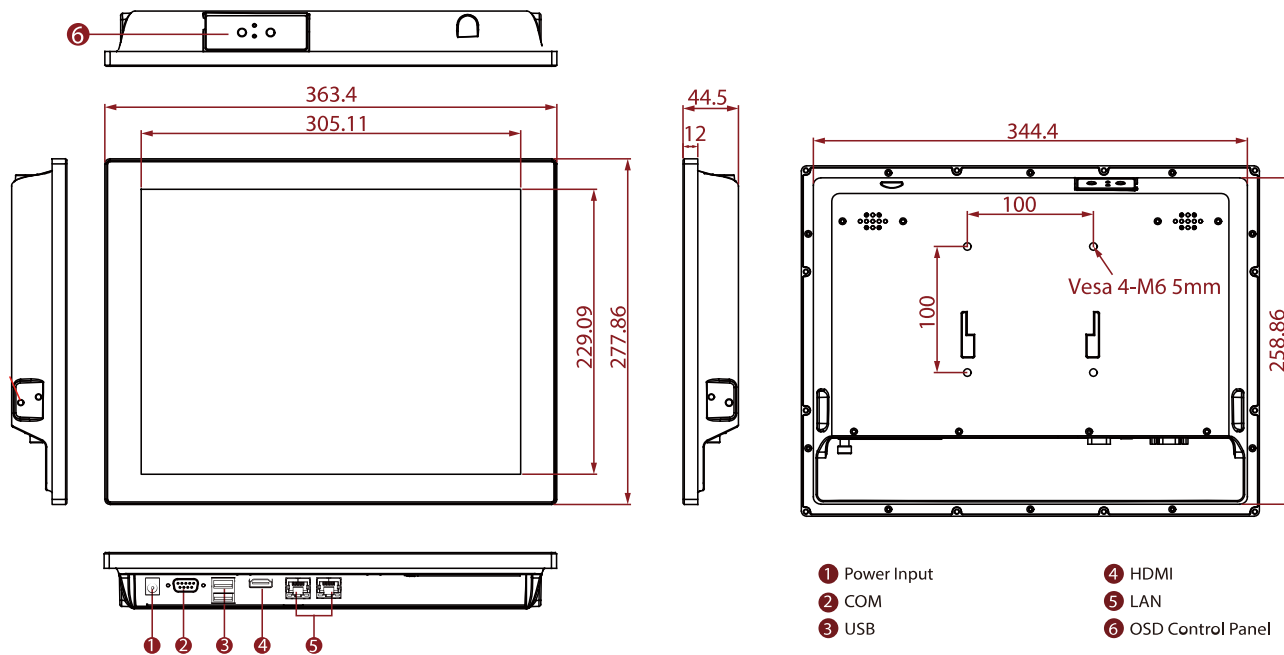
SPECIFICATIONS

Display	
Touch / Glass	Projected Capacitive Multi Touch Screen Anti-glare Coating (Optional)
Size	15.0 inches
Panel Brightness	300 nits 1000 nits(Optional)
Resolution	1024x768
Contrast Ratio	2000:1
View Angles	88,88,88,88
System Specification	
Processor	Intel® Core™ i5-7200U (3M Cache, up to 3.10 GHz) Intel® Core™ i5-7300U (3M Cache, up to 3.50 GHz)
Memory	1 x SO-DIMM, DDR4 2133 MHz, 4GB 8GB (Optional) 16GB (Optional)
Storage	1 x M.2 2242 SSD 64GB M.2 2242 SSD up to 512GB (Optional)
Ethernet controller	Intel® Ethernet Controller I211-AT + Intel® Ethernet Connection I219-LM
Security	TPM 2.0
Operating System	Windows 10 IoT Enterprise (Optional) Linux Ubuntu 18.04 (Optional)
WLAN	802.11 a/b/g/n/ac (Optional)
BT	BT Support (Optional)
Environment	
Operating Humidity	10% to 90% (Non-Condensing)
Operating Temperature	0~50°C
Shock	40g for 11ms
Vibration	1.48/1.90/2.24 g rms for XYZ/ 5-500Hz
IP rating	Front IP65
Certification	
Certification	CE, FCC
IO Ports	
USB Port	2 x USB 3.0
Serial Port	1 x RS232/422/485 (Default RS232) 1 x RS232 (Optional)
Video	1 x HDMI (Optional)
Audio	2 x Speaker
LAN	2 x RJ-45
Mechanical	
Dimension	363.4 x 277.9 x 45.2 mm
Mounting	VESA Mount/ Panel Mount
Enclosure	Aluminum
Cooling System	Fanless Design
Accessory	

Accessory	Quick Start Guide(Hardcopy) Driver CD & User Manual AC Adapter Power Cable
------------------	---

Power	
Power Rating	12V DC in 9-36V DC (Optional)
Control	
Button	1 x Power Button 1 x Reset Button

DIMENSIONS UNIT:MM



NOTE

1. This is a simplified drawing and some components are not marked in detail.
2. Please contact our sales representative if you need further product information.
3. All specifications are subject to change without prior notice.
4. The product shown in this datasheet is a standard model. For diagrams that contain customized or optional I/O, please contact the Winmate Sales Team for more information.