

R15IB7T-CHA3WT

15" Intel® Celeron® N2930 Chassis Wide Temperature Panel PC



KEY FEATURES

- 15" TFT LCD
- Intel® Celeron® Bay Trail-M N2930, 1.83 GHz Processor
- SODIMM DDR3L 1600/1333, max. 8 GB
- 2 x RS232, 1 x RS232/422/485, 1 x USB 3.0, 1 x USB 2.0, 2 x RJ45, 2 x PS/2, 1 x VGA, 1 x SATA II, 2 x Mini PCIe, 1 x eDP
- Front IP65 protection against water and dust
- -20~60°C operating temperature

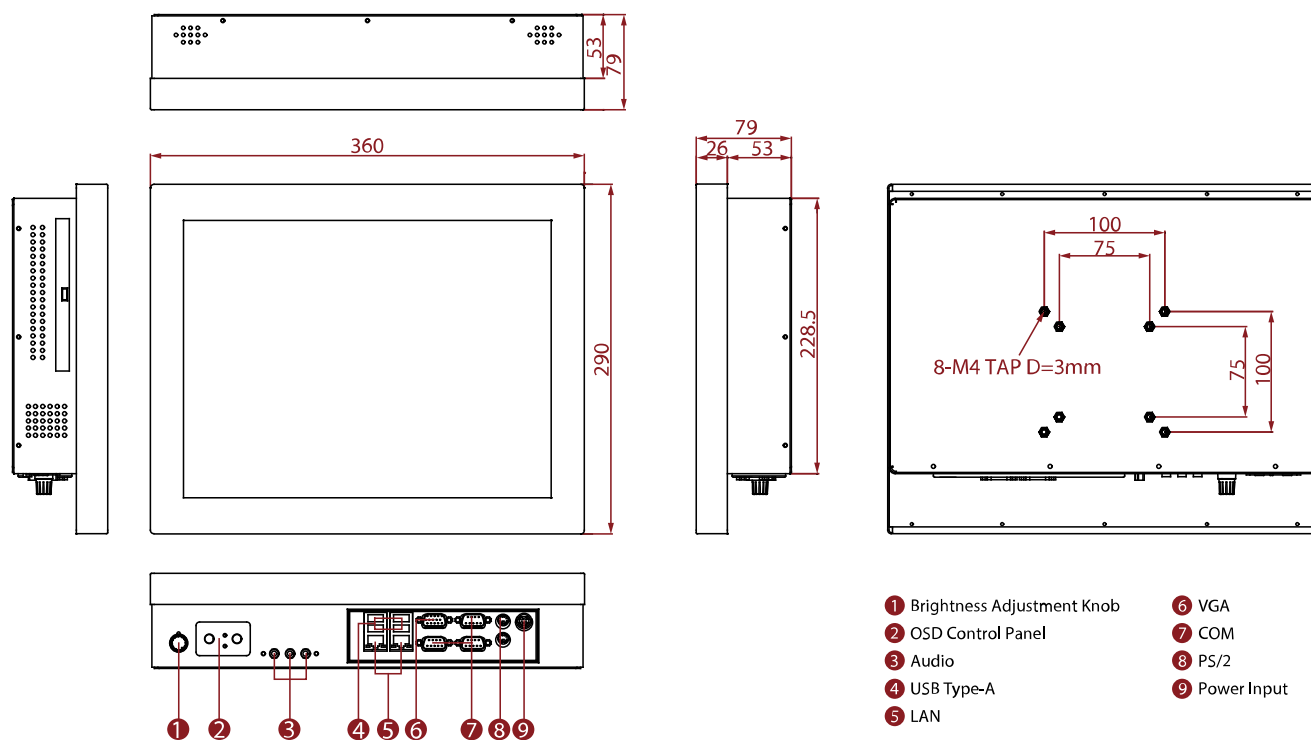


SPECIFICATIONS

Display	
Resolution	1024x768
Contrast Ratio	2500:1
View Angles	88,88,88,88
Touch / Glass	Resistive Touch Screen Protection Glass w/o Touch Function (Optional)
Size	15 inches
Panel Brightness	500 nits
Active Area	304.1x228.1 mm
System Specification	
Processor	Intel® Celeron® N2930 (2M Cache, up to 2.16 GHz)
Storage	1 x mSATA SSD 64GB mSATA SSD up to 512GB (Optional) 1 x SATA II for 2.5" HDD (Optional)
Operating System	Windows 7 Embedded Systems (Optional) Windows 10 IoT Enterprise (Optional) Linux Ubuntu 18.04 (Optional)
Memory	2 x SO-DIMM, DDR3L 1600 MHz, 4GB 8GB (Optional)
BT	Support (Optional)
Ethernet controller	2 x Intel® Ethernet Controller I210-AT
WLAN	Support (Optional)
Mechanical	
Dimension	360 x 290 x 79 mm
Enclosure	Metal Housing
Mounting	VESA Mount
Cooling System	Fanless design
Environment	
Operating Humidity	30% to 90% (non-condensing)
Storage Temperature	-25~65°C
Operating Temperature	-20~60°C
Certification	
Certification	CE, FCC
IO Ports	
Power Input	1 x 12V DC, Din4 pin connector
Serial Port	1 x RS232/422/485 (Default RS232) 2 x RS232 1 x RS232 (Optional)
Audio	Mic in
USB Port	1 x USB3.0 (Type-A) 3 x USB2.0 (Type-A)
Video	1 x VGA
Expansion Port	2 x mPCIe slot

	Line in Line out		
LAN	2 x Giga LAN RJ45 Connector	Indicator	1 x LED Indicator for power 1 x LED Indicator for storage
Brightness Knob	1 x Brightness Adjustment Knob	PS/2	2 x PS/2
mini PCIe	3 x Mini PCIE		
Control			
Button	1 x Power Button 1 x Reset Button		
Accessory			
Accessory	100~240V AC to DC Adapter Power Cord Driver CD & Manual VESA screws		
Power			
Power Rating	12V DC	Adapter	12V 50W

DIMENSIONS UNIT:MM



NOTE

1. This is a simplified drawing and some components are not marked in detail.
2. The product shown in this datasheet is a standard model. For diagrams that contain customized or optional I/O, please contact the Winmate Sales Team for more information.
3. All specifications are subject to change without prior notice.