

R15IB3S-VMC3(HB)

15" Intel® Celeron® N2930 G-WIN Vehicle Mount Panel PC



KEY FEATURES

- Intel® Celeron® Bay Trail N2930 1.83GHz Processor Fanless Design
- High Quality 15" Panel, 1024*768 resolution, 300 nits (Optional for 1000 nits)
- Front IP65 Dust/ Water proof design with VESA mount
- Aluminum Housing with Anti-Corrosion Treatments
- Built-in ambient Light sensor
- Wide Range 9 to 36V DC Input with isolation
- Optional 6-60V DC Input, and Optional for Ignition On/Off delay
- 5 Wire Resistive Touch / Anti-Reflective Protection Glass (Optional)
- Optional GPS, 3G/WLAN(Either one). GPIO/Canbus(Either one)
- Optional HB/Sunlight Readable up to 1000 nits
- Design to meet EN50155

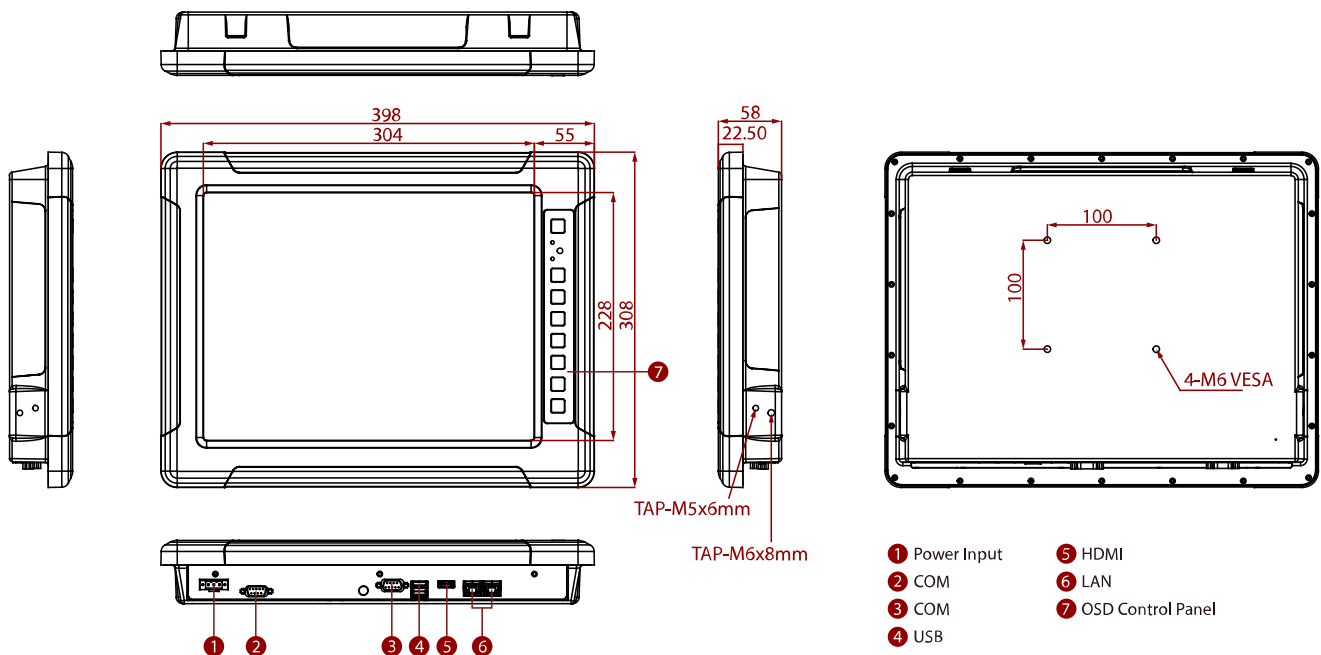


SPECIFICATIONS

| System Specification | | | |
|----------------------------|--|------------------------------|--|
| Processor | Intel® Celeron® N2930 (2M Cache, up to 2.16 GHz) | Memory | 1 x SO-DIMM, DDR3L 1600 MHz, 4GB 8GB (Optional) |
| Storage | 1 x mSATA SSD 64GB. mSATA SSD up to 512GB. (Optional) | Ethernet controller | 2 x Intel® Ethernet Controller I210-AT |
| Operating System | Windows 7 Embedded Systems (Optional) Windows 10 IoT Enterprise (Optional) Linux Ubuntu 18.04 (Optional) | WLAN | Support (Optional) |
| BT | Support (Optional) | WWAN | WWAN (Optional) |
| Display | | | |
| Touch / Glass | Resistive Touch Screen Protection Glass Without Touch Function (Optional) | Optional function | High brightness Panel for sunlight readable (Optional) |
| Resolution | 1024x768 | Size | 15 inches |
| Contrast Ratio | 2000:1 | Panel Brightness | 300 nits 1000 nits(Optional) |
| View Angles | 88,88,88,88 | Active Area | 304.1x228.1 mm |
| Mechanical | | | |
| Dimension | 398 x 308 x 58 mm | Mounting | VESA Mount Yoke Mount |
| Enclosure | Aluminum Housing | Cooling System | Fanless design |
| Environment | | | |
| Operating Humidity | 10% to 90% (non-condensing) | Operating Temperature | -10~55°C |
| Storage Temperature | -30~70°C | Shock | MIL-STD-810G Method 516.6 (Optional) |
| Vibration | MIL-STD-810G Method 514.6 | IP rating | Front IP65 |
| Certification | | | |
| Certification | CE, FCC | | |

| IO Ports | | | |
|-----------------------|--|---------------------------|--|
| Power Input | 1 x 9~36V DC(3-Pin Terminal Block) 6-60V DC Input and Optional for Ignition On/Off delay | USB Port | 1 x USB3.0 (Type-A) 1 x USB2.0 (Type-A) |
| Serial Port | 1 x RS232/422/485 (Default RS232) 1 x RS232 | Video | 1 x HDMI 1.4 (Optional) |
| Expansion Port | 1 x mPCIe slot(for half size Wifi module) | LAN | 2 x Giga LAN RJ45 Connector |
| Indicator | 1 x LED Indicator for power 1 x LED Indicator for storage | DIDO | Terminal block with digital 4 in / 4 out (Either of DIDO/CANBUS) |
| CANBUS | Terminal block with 2 channel CANBUS (Either of DIDO/CANBUS) | | |
| Control | | | |
| Button | 1 x Power Button 1 x Reset Button 1 x Lock / Unlock front key function button 1 x Auto Dimming / Manually button 1 x Day / Night Mode button 1 x Brightness Up button 1 x Brightness Down button 1 x LED indicator brightness adjustment button 1 x Light sensor | | |
| Accessory | | | |
| Accessory | Open Wire Cable with terminal block connector Driver CD & Manual VESA screws | Optional Accessory | Yoke mount stand (Optional) 100~240V AC to DC Adapter with power cord (Optional) |

DIMENSIONS UNIT:MM



NOTE

1. This is a simplified drawing and some components are not marked in detail.
2. Windows 10 operating system requires installing a new version of BIOS and OS image.
3. Windows 7 does not support the TPM 2.0 function.
4. Weight of the device varies by configuration.
5. Please contact our sales representative if you need further product information.
6. All specifications are subject to change without prior notice.
7. The product shown in this datasheet is a standard model. For diagrams that contain customized or optional I/O, please contact the Winmate Sales Team for more information.