

# R15IB3S-MLA3HB

## 15" Intel® Celeron® N2930 Defense Panel PC



### KEY FEATURES

- Build in ambient Light sensor , 15inch Defense Panel PC
- High Quality 15" Panel, 1024\*768 resolution, 1000 nits
- 5 Wire Resistive Touchscreen(Optional) / Anti-Reflection Protection Glass
- 802.11 a/b/g/n Wireless LAN with Antenna (Optional)
- Aluminum Housing with Anti-Corrosion Treatments
- Anti-Shock and Vibration Standard according to MIL-STD-810F/G & IEC60068-2-27
- Fanless Design
- Full IP65 Dust/water resistant Protection (Except I/O parts)
- Military grade power connector
- Ultra Low Power and High Performance Intel® Bay Trail N2930 1.83 GHz
- Wide Range 9 to 36 V DC Input (Optional)



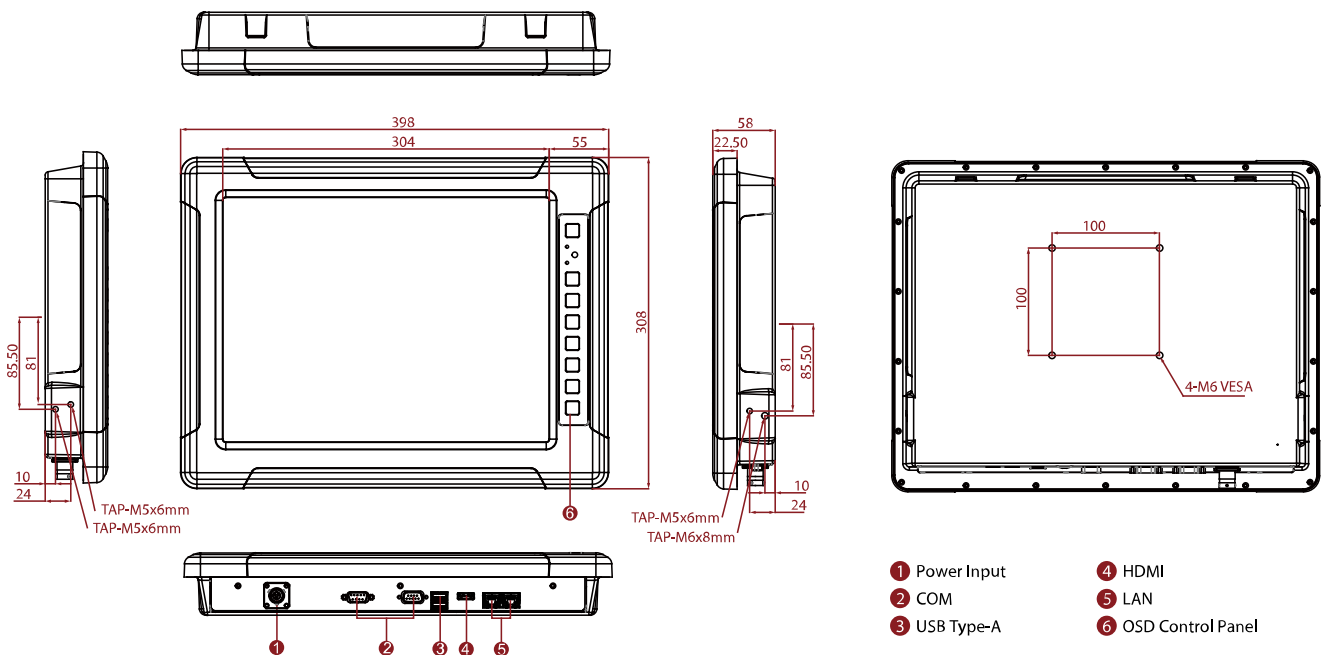
### SPECIFICATIONS

Display			
<b>Resolution</b>	1024x768	<b>Size</b>	15 inches
<b>Contrast Ratio</b>	2500:1	<b>Panel Brightness</b>	1000 nits
<b>View Angles</b>	88,88,88,88	<b>Active Area</b>	304.1x228.1 mm
<b>Touch / Glass</b>	AR Protection Glass 5 Wires Resistive Touch (Optional) 5 Wire Resistive with EMI Mesh Filter (Optional) EMI Glass (Optional)		
System Specification			
<b>Processor</b>	Intel® Celeron® N2930 (2M Cache, up to 2.16 GHz)	<b>Memory</b>	1 x SO-DIMM, DDR3L 1600 MHz, 4GB 8GB (Optional)
<b>Storage</b>	1 x mSATA SSD 64GB. mSATA SSD up to 512GB. (Optional)	<b>Ethernet controller</b>	2 x Intel® Ethernet Controller I210-AT
<b>Operating System</b>	Windows 7 Embedded Systems (Optional) Windows 10 IoT Enterprise (Optional) Linux Ubuntu 18.04 (Optional)		
Environment			
<b>Operating Humidity</b>	10% to 95% RH	<b>Operating Temperature</b>	-20°C~60°C
<b>Storage Temperature</b>	-30°C~70°C	<b>Shock</b>	Operating:30g for 18ms
<b>Vibration</b>	Operating: 1.60/1.96/2.18 g rms for XYZ / 5-500Hz		
Compliance			
<b>MIL-STD 461E/F</b>	RE101 / RE102 CE101 / CE102 with EMI Glass / Touch(Optional) RS101 / RS 103 CS101 / CS 106 / CS 109 / CS 114 / CS 115 / CS 116	<b>MIL-STD 810F/G</b>	Vibration Method 514.5 Humidity Method 507.4 Transit Drop Method516.5

Certification			
Certification	CE, FCC		
IO Ports			
USB Port	1 x USB2.0 1 x USB3.0	Serial Port	1 x RS-232(Default)/422/485 1 x RS-232 (Optional)
Video	1 x HDMI (Optional)	LAN	2 x RJ-45
Mechanical			
Dimension	398 x 308 x 58 mm	Mounting	VESA Mount
Enclosure	Metal Housing with Aluminum Bezel	Cooling System	Fanless Design
Accessory			
Accessory	User Manual Driver CD and User Manual Touch Driver CD Open Wire Cable		
Power			
Power Rating	12V DC (MIL-DTL-38999/1 connector) 9V to 36V wide range (Optional)		
Control			
Button	8 key: Power Reset Lock/Unlock Auto Dimming/Manually Day/Night Mode Brightness Up Brightness Down LED Adjustment		

## DIMENSIONS UNIT:MM

### Winmate R15IB3S-MLA3HB



## NOTE

1. R15IB3S-MLA3HB

