

# R15IB3S-GCC3(HB)

15" Intel® Celeron® N2930 G-WIN GC-Series Front IP65 PCAP Panel PC



## KEY FEATURES

- 15" 1024 x 768 with P-CAP touchscreen
- Low power consumption with Intel® Celeron® N2930
- Fanless cooling system and ultra low power consumption
- Front IP65 for protection against water and dust
- A true flat, easy-to-clean front surface with edge-to-edge design
- Plenty of I/O, including 2 x LAN, 1 x COM, 1 x USB 3.0, 1 x USB 2.0, 1 x HDMI



## SPECIFICATIONS

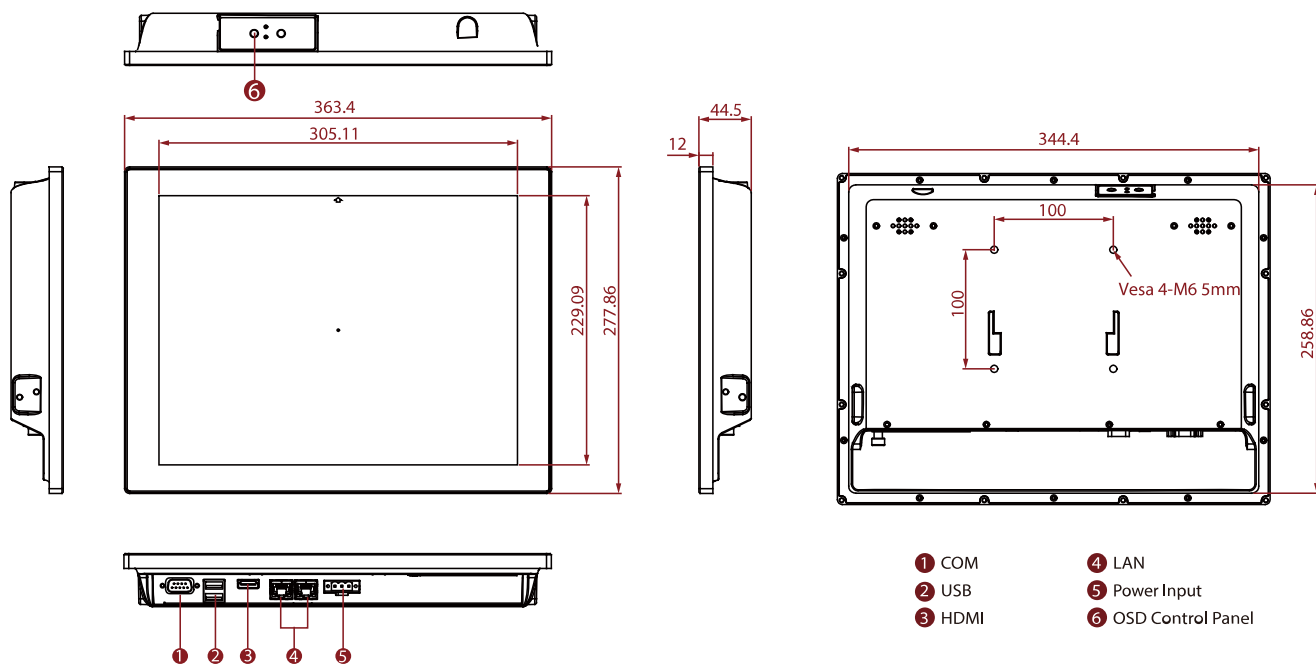
Display			
<b>Touch / Glass</b>	Projected Capacitive Multi Touch Screen Anti-glare Coating (Optional)	<b>Resolution</b>	1024x768
<b>Size</b>	15 inches	<b>Contrast Ratio</b>	2000:1
<b>Panel Brightness</b>	300 nits 1000 nits(Optional)	<b>View Angles</b>	88,88,88,88
<b>Active Area</b>	304.1x228.1 mm		
System Specification			
<b>Processor</b>	Intel® Celeron® N2930 (2M Cache, up to 2.16 GHz)	<b>Memory</b>	1 x SO-DIMM, DDR3L 1600 MHz, 4GB 8GB (Optional)
<b>Storage</b>	1 x mSATA SSD 64GB. mSATA SSD up to 512GB. (Optional)	<b>Ethernet controller</b>	2 x Intel® Ethernet Controller I210-AT
<b>Operating System</b>	Windows 7 Embedded Systems (Optional) Windows 10 IoT Enterprise (Optional) Linux Ubuntu 18.04 (Optional)		
Environment			
<b>Operating Humidity</b>	10% to 90% (Non-Condensing)	<b>Operating Temperature</b>	0~50°C
<b>Storage Temperature</b>	-20~60°C	<b>Shock</b>	MIL-STD-810G Method 516.6
<b>Vibration</b>	MIL-STD-810G Method 514.6	<b>IP rating</b>	Front IP65
Certification			
<b>Certification</b>	CE, FCC		
IO Ports			
<b>USB Port</b>	1 x USB2.0 1 x USB3.0	<b>Serial Port</b>	1 x RS232(Default)/422/485
<b>Video</b>	1 x HDMI (Optional)	<b>Audio</b>	2 x Speaker
<b>LAN</b>	2 x RJ-45		
Mechanical			
<b>Dimension</b>	363.4 x 277.86 x 44.5 mm	<b>Mounting</b>	VESA Mount/ Panel Mount
<b>Enclosure</b>	Aluminum	<b>Cooling System</b>	Fanless Design
Accessory			

<b>Accessory</b>	Quick Start Guide(Hardcopy) Driver CD & User Manual AC Adapter Power Cable
------------------	---

<b>Power</b>	
<b>Power Rating</b>	12V DC in 9-36V DC in (Optional)
<b>Control</b>	

<b>Button</b>	1 x Power Button 1 x Reset Button
---------------	--------------------------------------

**DIMENSIONS** UNIT:MM



**NOTE**

1. This is a simplified drawing and some components are not marked in detail.
2. Please contact our sales representative if you need further product information.
3. All specifications are subject to change without prior notice.
4. The product shown in this datasheet is a standard model. For diagrams that contain customized or optional I/O, please contact the Winmate Sales Team for more information.