

# R15IB3S-EHC3

## 15" Intel® Celeron® N2930 E Series HMI Panel PC



### KEY FEATURES

- 15" 1024 x 768 Resolution
- PCAP Multi-touch screen
- Front IP65 Water and Dust Proof
- Dual Gigabit Ethernet
- Fanless cooling system and ultra-low power consumption



### SPECIFICATIONS

Display				
<b>Resolution</b>	1024x768	<b>Size</b>	15 inches	
<b>Contrast Ratio</b>	2000:1	<b>Panel Brightness</b>	300 nits	
<b>View Angles</b>	88,88,88,88	<b>Active Area</b>	304.1x228.1 mm	
<b>Touch / Glass</b>	Projected Capacitive Multi Touch Screen			
System Specification				
<b>Processor</b>	Intel® Celeron® N2930 (2M Cache, up to 2.16 GHz)	<b>Memory</b>	1 x SO-DIMM, DDR3L 1600 MHz, 4GB 8GB (Optional)	
<b>Storage</b>	1 x mSATA SSD 64GB. mSATA SSD up to 512GB. (Optional)	<b>Ethernet controller</b>	2 x Intel® Gigabit Ethernet Controller	
<b>Operating System</b>	Windows 7 Embedded Systems (Optional) Windows 10 IoT Enterprise (Optional) Linux Ubuntu 18.04 (Optional)	<b>WLAN</b>	Support (Optional)	
<b>BT</b>	Support (Optional)			
Mechanical				
<b>Dimension</b>	353 x 277 x 42 mm	<b>Mounting</b>	Panel mount VESA Mount	
<b>Enclosure</b>	Plastic Front Bezel with Metal Back Cover		<b>Cooling System</b>	Fanless design
<b>Cut out</b>	336x266mm			
Environment				
<b>Operating Humidity</b>	10% to 90% (non-condensing)	<b>Operating Temperature</b>	0~50°C	
<b>Storage Temperature</b>	-20~60°C	<b>IP rating</b>	Front IP65	
Certification				
<b>Certification</b>	CE, FCC			
IO Ports				
<b>Power Input</b>	1 x 12V DC, 2.5φ DC jack	<b>USB Port</b>	1 x USB3.0 (Type-A) 1 x USB2.0 (Type-A)	
<b>Serial Port</b>	1 x RS232/422/485 (Default RS232)	<b>Video</b>	1 x HDMI 1.4 (Optional)	
<b>Expansion Port</b>	1 x mPCIe slot(for half size Wifi module)	<b>LAN</b>	2 x Giga LAN RJ45 Connector	
<b>mini PCIe</b>	1 x Mini PCIe(For WLAN)			

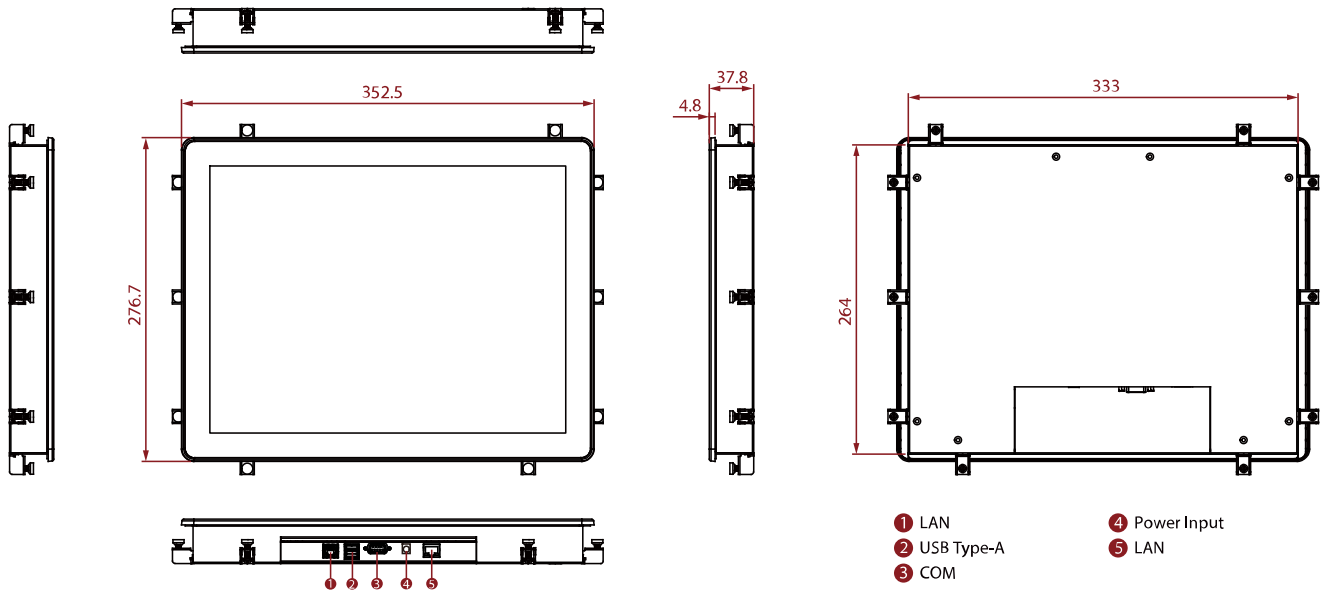
## Accessory

Accessory	100~240V AC to DC Adapter Power Cord Driver CD & Manual VESA screws Mounting clips
-----------	--

## Power

Power Rating	12V DC	Adapter	12V 50W
--------------	--------	---------	---------

## DIMENSIONS UNIT:MM



## NOTE

1. This is a simplified drawing and some components are not marked in detail.
2. The product shown in this datasheet is a standard model. For diagrams that contain customized or optional I/O, please contact the Winmate Sales Team for more information.
3. All specifications are subject to change without prior notice.