

R15IB3S-65A1FTP

15" Intel® Celeron® N2930 IP65 Stainless PCAP Chassis Panel PC



KEY FEATURES

- Full IP65 dust/water resistant
- Robust and fanless design for reliable operation
- Fanless Colling System and Ultra Low power consumption
- Support Intel® Celeron® N2930 Processor
- SUS 316/ AISI 316 stainless steel for food and chemical industries
- Special Flat Touch Design easy to maintain
- Projective Capacitive Touch
- Optical bonding (optional)



SPECIFICATIONS

| Display | | | |
|----------------------------|--|------------------------------|---|
| Resolution | 1024x768 | Size | 15 inches |
| Contrast Ratio | 2500:1 | Panel Brightness | 500 nits |
| View Angles | 88,88,88,88 | Active Area | 304.1x228.1 mm |
| Touch / Glass | Projected Capacitive Multi Touch Screen | | |
| System Specification | | | |
| Processor | Intel® Celeron® N2930 (2M Cache, up to 2.16 GHz) | Memory | 1 x SO-DIMM, DDR3L 1600 MHz, 4GB 8GB (Optional) |
| Storage | 1 x mSATA SSD 64GB. mSATA SSD up to 512GB. (Optional) | Ethernet controller | 2 x Intel® Ethernet Controller I210-AT |
| Operating System | Windows 7 Embedded Systems (Optional) Windows 10 IoT Enterprise (Optional) Linux Ubuntu 18.04 (Optional) | WLAN | Support (Optional) |
| BT | Support (Optional) | | |
| Mechanical | | | |
| Dimension | 396 x 310 x 49 mm | Mounting | VESA Mount |
| Enclosure | Stainless Housing | Cooling System | Fanless design |
| Environment | | | |
| Operating Humidity | 10% to 90% (non-condensing) | Operating Temperature | 0~45°C |
| Storage Temperature | -20~60°C | IP rating | IP65 |
| Certification | | | |
| Certification | CE, FCC | | |
| IO Ports | | | |
| Power Input | 1 x M12 waterproof connector for 12V DC | USB Port | 1x M12 waterproof connector for 2 x USB2.0 |
| Serial Port | 1 x M12 waterproof connector for RS232 | LAN | 1 x waterproof Giga LAN RJ45 connector |
| Indicator | 1 x LED Indicator for power 1 x LED Indicator for storage | | |
| Control | | | |
| Button | 1 x Power Button 1 x Reset Button | | |

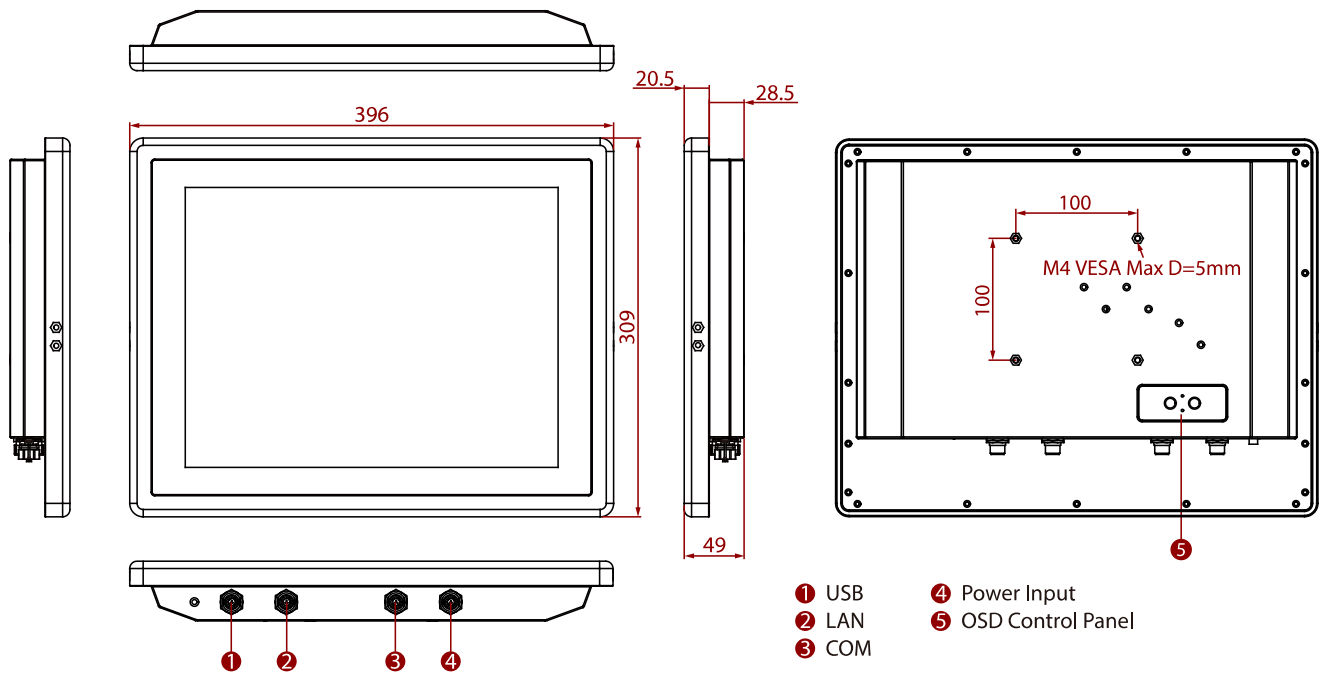
Accessory

| | |
|------------------|---|
| Accessory | External USB cable with waterproof connector External COM cable with waterproof connector External LAN cable with waterproof connector Waterproof caps Driver CD & Manual VESA screws 100~240V AC to DC Adapter with waterproof connector Power Cord |
|------------------|---|

Power

| | |
|---------------------|-------------------|
| Power Rating | 12V DC (M12 type) |
|---------------------|-------------------|

DIMENSIONS UNIT:MM



NOTE

1. This is a simplified drawing and some components are not marked in detail.
2. Windows 10 operating system requires installing a new version of BIOS and OS image.
3. Windows 7 does not support the TPM 2.0 function.
4. The product shown in this datasheet is a standard model. For diagrams that contain customized or optional I/O, please contact the Winmate Sales Team for more information.
5. All specifications are subject to change without prior notice.