

R12ID3S-MRM2

12.1" Intel® Atom® N2600 Marine Panel PC



KEY FEATURES

- Intel® Atom® N2600 Dual Core Platform, Fanless Design
- Dimming knob control backlight brightness from nearly 0% to 100%
- Transflective film technology enhance visibility
- Panel (flush) mount IP66 aluminum housing with powder coating design (IP54 rear)
- 9 to 36 V DC power input acceptable
- High quality touchscreen / AR protection glass for option
- Ease of use front panel OSD control
- Enhanced shock and vibration resistance



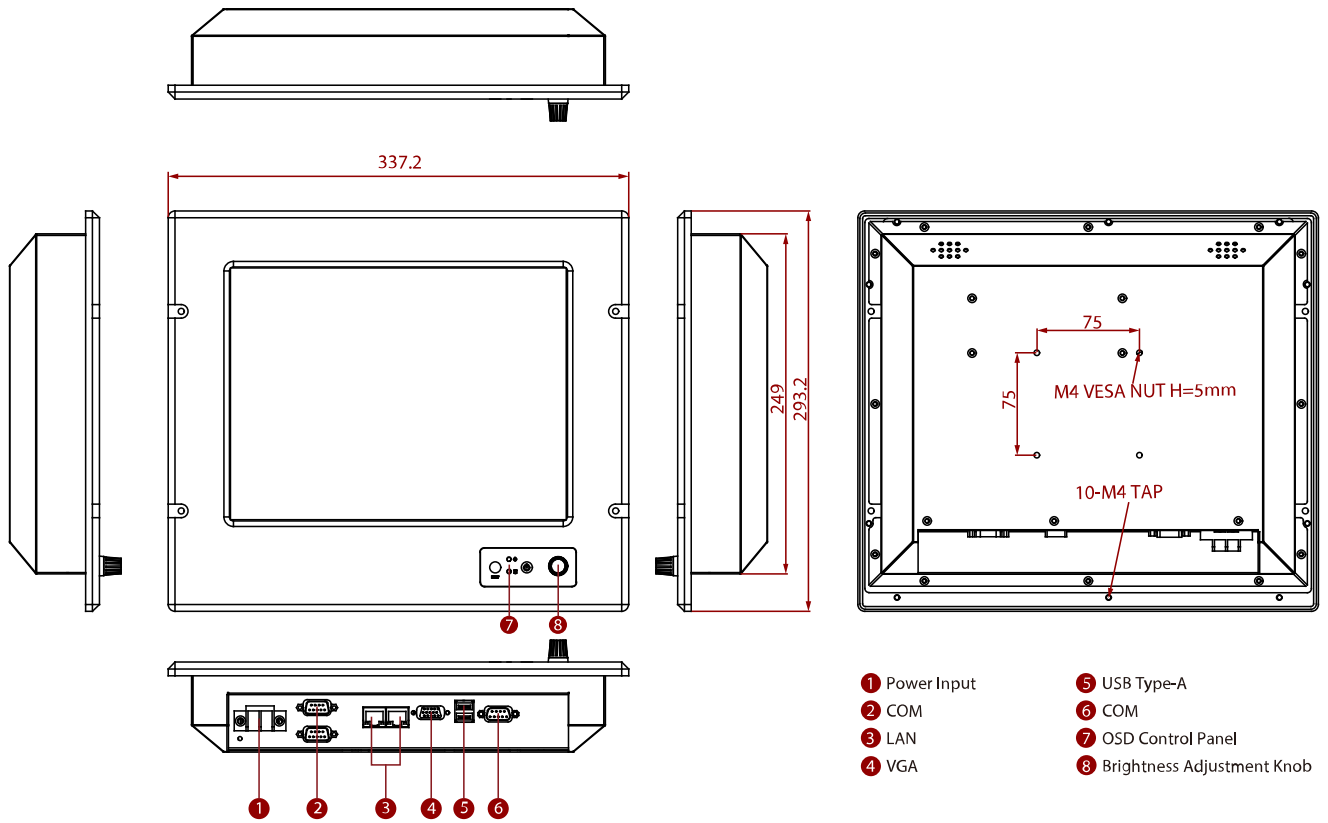
SPECIFICATIONS

Display			
Resolution	1024x768	Size	12.1 inches
Contrast Ratio	1000:1	Panel Brightness	500 nits
View Angles	89,89,89,89	Active Area	245.76 x 184.32 mm
Touch / Glass	Resistive Touch Screen AR Glass (Optional)		
System Specification			
Processor	Intel Atom® N2600 (1M Cache, 1.6 GHz)	Chipset	Intel® NM10
Memory	1 x SO-DIMM, DDR3L 1600 MHz, 4GB	Storage	1 x mSATA SSD 64GB mSATA SSD up to 512GB (Optional)
Ethernet controller	BCM57780A1KMLG	Operating System	Windows 7 Embedded Systems (Optional) Linux Ubuntu 16.04 (Optional)
Environment			
Operating Humidity	5% to 95%	Operating Temperature	-15~55°C
Shock	15G, 11ms duration	Vibration	0.7g@DNVGL CG-0339 (Class A)
IP rating	IP66 (Front Side)		
Certification			
Certification	DNVGL-CG-0339, IEC60945 4th, IACS E10, CE, FCC		
IO Ports			
USB Port	2 x USB2.0	Serial Port	1 x RS232/422/485 2 x RS232 or 2 x Isolation RS422/485
Video	1 x VGA	LAN	2 x RJ45-10/100/1000 Mbps
Mechanical			
Dimension	336 x 293.2 x 50 mm	Mounting	VESA Mount/ Panel Mount
Enclosure	Metal Housing with Aluminum Bezel	Cooling System	Fanless Design
Accessory			
Accessory	Driver CD & User Manual 4 x M6 Black Screw Bolt with M6 Nut		

Power	
Power Rating	24V DC-in with Isolation (Approval by Certificate) 9~36V DC Input Acceptable
Control	
Button	1 x Power Button 1 x Reset Button 1 x The Dimming Knob

DIMENSIONS UNIT:MM

Winmate R12ID3S-MRM2



NOTE

1. This is a simplified drawing and some components are not marked in detail.
2. Only 24 V DC has been approved by DNVGL certification.
3. Please contact our sales representative if you need further product information.
4. All specifications are subject to change without prior notice.
5. The product shown in this datasheet is a standard model. For diagrams that contain customized or optional I/O, please contact the Winmate Sales Team for more information.