

R12IB3S-IPM2

12.1" Intel® Celeron® N2930 Front IP65 Panel PC



KEY FEATURES

- 12.1" TFT XGA LCD
- Intel® Celeron® N2930 Quad Core 1.83 GHz Processor
- SO-DIMM DDR3L 1600, max. 8GB
- Integrated VGA, Dual-channel 24-bit LVDS, HDMI (Optional)
- Intel® I210-AT GbE

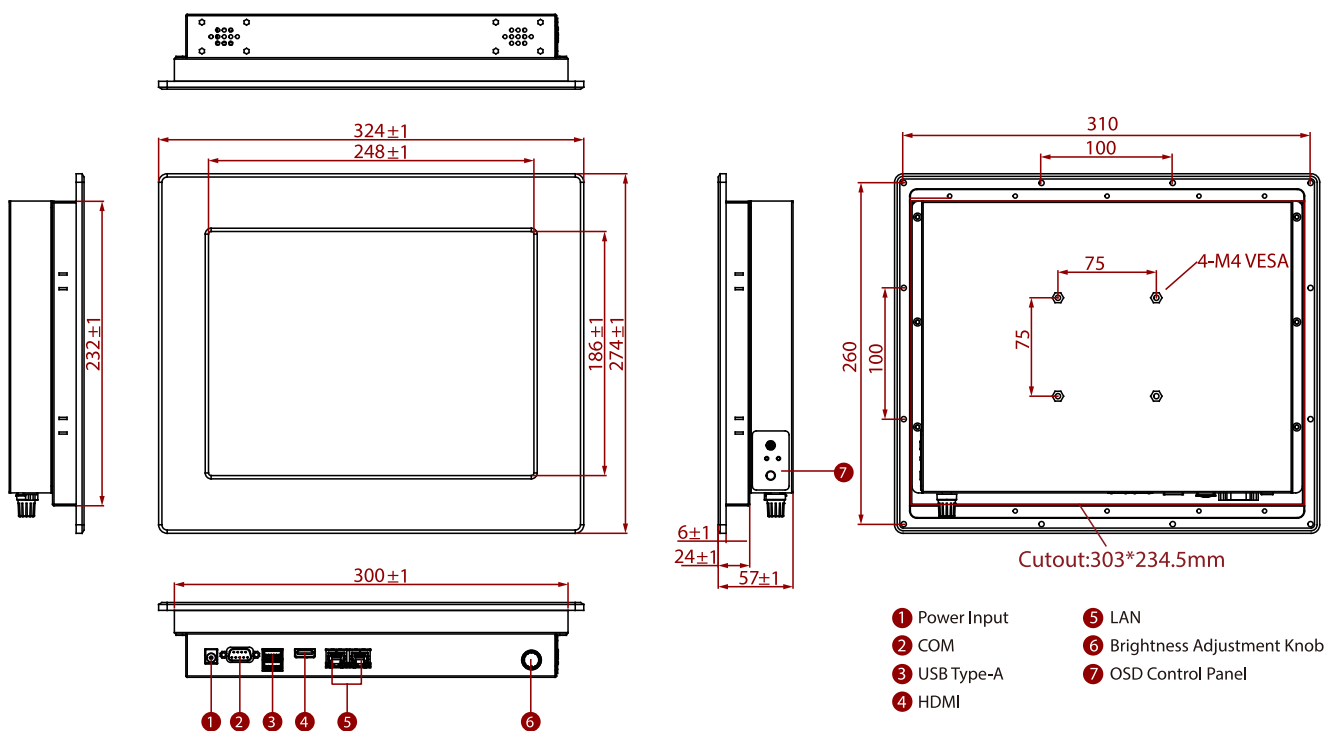


SPECIFICATIONS

Display	
Resolution	1024x768
Contrast Ratio	1000:1
View Angles	89, 89, 89, 89
Touch / Glass	Resistive Touch Screen Protection Glass Without Touch Function (Optional)
Size	12.1 inches
Panel Brightness	500 nits
Active Area	245.76 x 184.32 mm
System Specification	
Processor	Intel® Celeron® N2930 (2M Cache, up to 2.16 GHz)
Storage	1 x mSATA SSD 64GB. mSATA SSD up to 512GB. (Optional)
Operating System	Windows 7 Embedded Systems (Optional) Windows 10 IoT Enterprise (Optional) Linux Ubuntu 18.04 (Optional)
Memory	1 x SO-DIMM, DDR3L 1600 MHz, 4GB 8GB (Optional)
BT	Support (Optional)
Ethernet controller	2 x Intel® Gigabit Ethernet Controller
WLAN	Support (Optional)
Mechanical	
Dimension	324 x 274 x 57 mm
Enclosure	Metal Housing
Cut out	303x234.5mm
Mounting	Panel mount VESA Mount
Cooling System	Fanless design
Environment	
Operating Humidity	10% to 90% (non-condensing)
Storage Temperature	-20~60°C
Operating Temperature	0~50°C
IP rating	Front IP65
Certification	
Certification	CE, FCC
IO Ports	
Power Input	1 x 12V DC, 2.5φ DC jack
Serial Port	1 x RS232/422/485 (Default RS232) 1 x RS232
USB Port	1 x USB3.0 (Type-A) 1 x USB2.0 (Type-A)
Video	1 x HDMI 1.4 (Optional)

Audio	2 x Speaker	Expansion Port	1 x mPCIe slot(for half size Wifi module)
LAN	2 x Giga LAN RJ45 Connector	Indicator	1 x LED Indicator for power 1 x LED Indicator for storage
Brightness Knob	1 x Brightness Adjustment Knob	mini PCIe	1 x Mini PCIe(For WLAN)
Control			
Button	1 x Power Button 1 x Reset Button		
Accessory			
Accessory	100~240V AC to DC Adapter Power Cord Driver CD & Manual VESA screws Mounting clips		
Power			
Power Rating	12V DC	Adapter	12V 50W

DIMENSIONS UNIT:MM



NOTE

1. This is a simplified drawing and some components are not marked in detail.
2. Please contact our sales representative if you need further product information.
3. All specifications are subject to change without prior notice.
4. The product shown in this datasheet is a standard model. For diagrams that contain customized or optional I/O, please contact the Winmate Sales Team for more information.