

# R10L100-SPT2

## 10.4" IP65 Stainless PCAP Chassis Display



### KEY FEATURES

- 10.4", 1024 x 768
- Support VESA / YOKE mount
- Chassis
- Stainless housing SUS 316 / AISI 316
- Full IP65 waterproof and dustproof
- Optical bonding (optional)



### SPECIFICATIONS

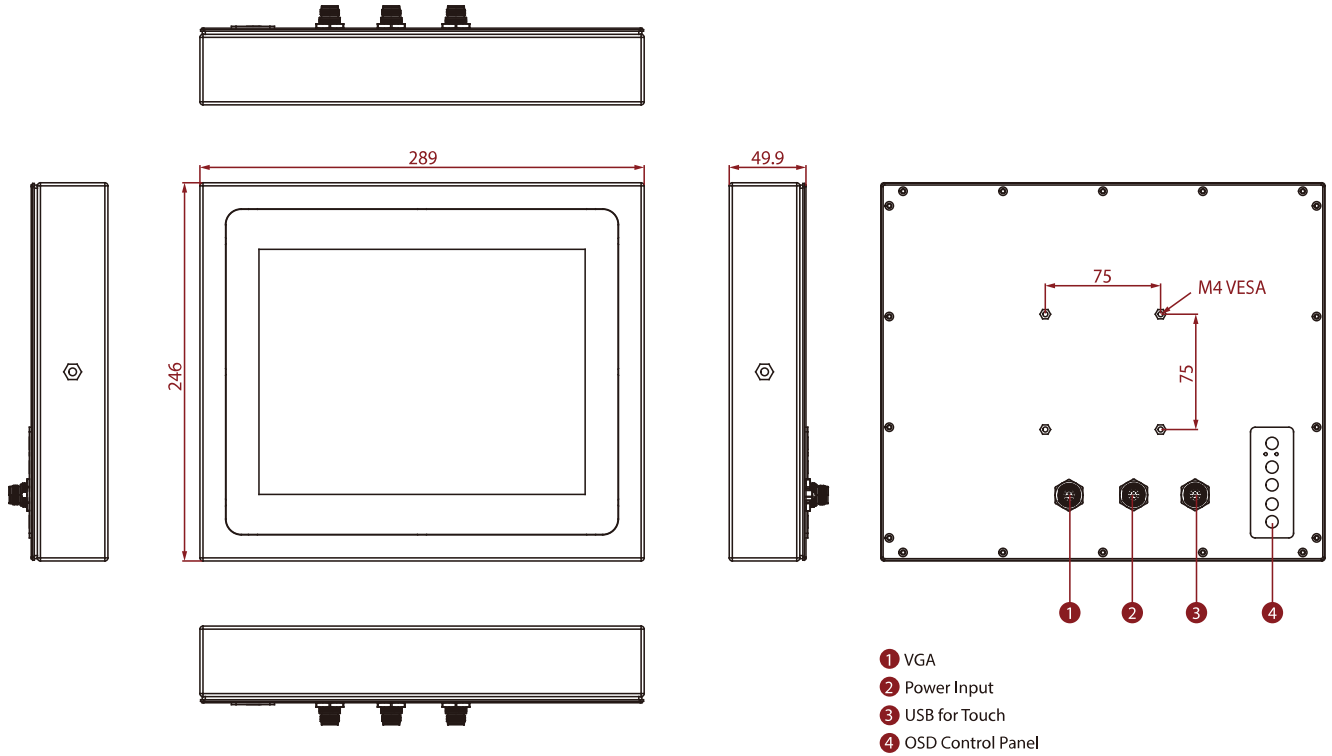
Display	
<b>Resolution</b>	1024x768
<b>Contrast Ratio</b>	1000:1
<b>Display Color</b>	16.2M Colors
<b>Active Area</b>	210.4x157.8 mm
<b>Size</b>	10.4 inches
<b>Panel Brightness</b>	350 nits
<b>View Angles</b>	88,88,88,88
<b>Touch / Glass</b>	Projected Capacitive Multi Touch Screen
Mechanical	
<b>Dimension</b>	289 x 246 x 49.9 mm
<b>Enclosure</b>	Stainless Housing
<b>Mounting</b>	VESA Mount Yoke Mount
<b>Cooling System</b>	Fanless design
Environment	
<b>Operating Humidity</b>	10% to 90% (non-condensing)
<b>Storage Temperature</b>	-20~60°C
<b>Operating Temperature</b>	0~45°C
<b>IP rating</b>	IP65
Certification	
<b>Certification</b>	CE, FCC
IO Ports	
<b>USB Port</b>	1 x M12 waterproof connector for touch screen control
<b>Video</b>	1x M12 type connector for VGA input 1x waterproof connector for DVI input (Optional) 1x waterproof connector for HDMI input (Optional)
<b>Indicator</b>	1 x LED Indicator for power 1 x LED Indicator for status
Control	
<b>Button</b>	1 x Power Button 1 x Adjust up button 1 x Adjust down button 1 x ESC (Auto) button 1 x OK (Menu) button
Accessory	
<b>Accessory</b>	100~240V AC to DC Adapter with waterproof connector Power Cord External USB cable with waterproof connector for touchscreen control External VGA cable with waterproof connector
<b>Optional Accessory</b>	External HDMI cable with waterproof connector (Optional) External DVI cable with waterproof connector (Optional)

Waterproof caps  
Manual  
VESA screws

## Power

**Power Rating** 12V DC (M12 type)

## DIMENSIONS UNIT:MM



## NOTE

1. This is a simplified drawing and some components are not marked in detail.
2. Please contact our sales representative if you need further product information.
3. All specifications are subject to change without prior notice.
4. The product shown in this datasheet is a standard model. For diagrams that contain customized or optional I/O, please contact the Winmate Sales Team for more information.