

R10L100-MLT2

10.4" G-WIN Defense Display



KEY FEATURES

- 10.4", 1024 x 768 resolution
- AR protection glass , 5-wire resistive touch screen(Optional)
- Compliant MIL-STD 810G/ MIL-STD 461E
- Convenient onscreen display controls
- Fanless design and efficient heat dissipation
- Power input 12 V DC military-grade connector (Optional 936 V DC wide range)
- Full IP65 dust and water proof enclosures, except I/O parts
- Supports VESA mount

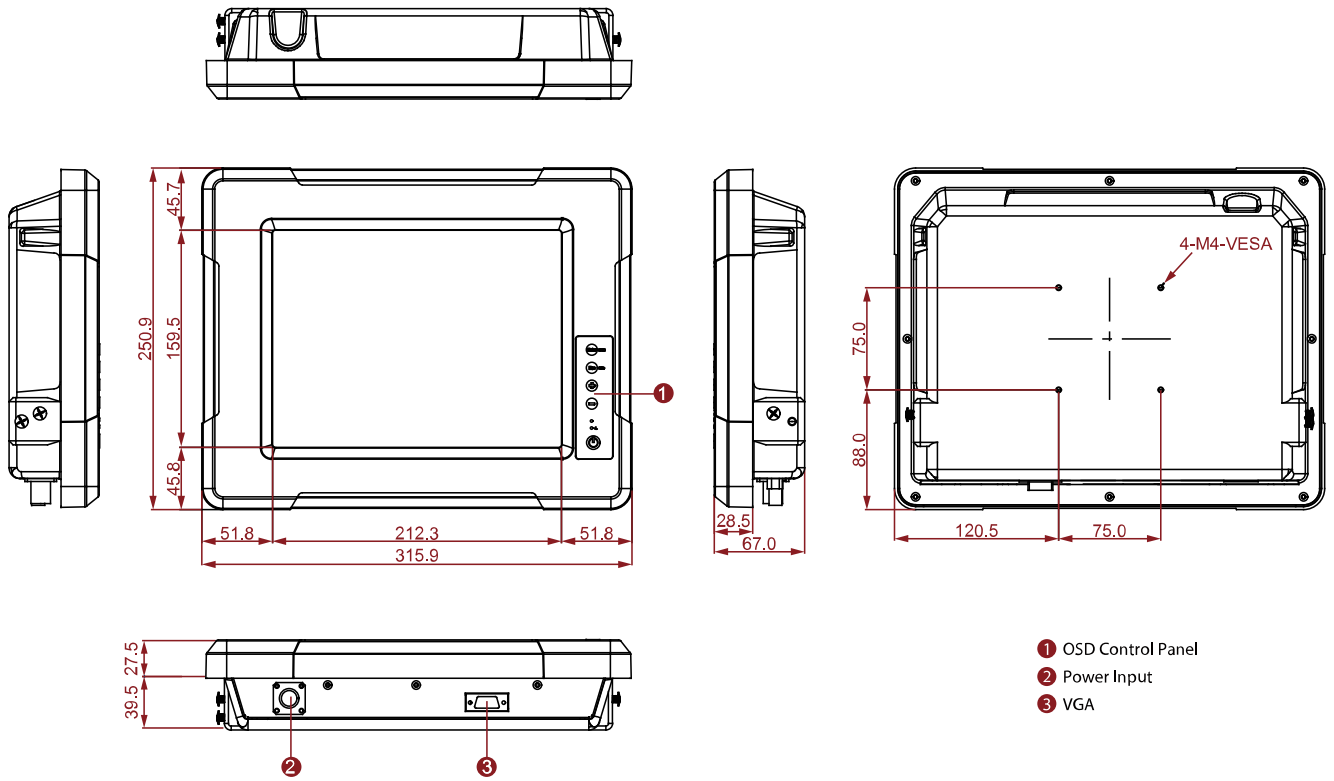


SPECIFICATIONS

Display			
Resolution	1024x768	Size	10.4 inches
Contrast Ratio	1000:1	Panel Brightness	350 nits
Display Color	16.2M Colors	View Angles	88,88,88,88
Active Area	210.4x157.8 mm	Touch / Glass	AR Protection Glass 5 Wires Resistive Touch (Optional) 5 Wire Resistive with EMI Mesh Filter (Optional) EMI Glass (Optional)
Environment			
Operating Humidity	10% to 95% RH	Operating Temperature	-20°C~60°C
Storage Temperature	-20°C~70°C	Shock	Operating:30g for 18ms
Vibration	Operating: 1.60/1.96/2.18 g rms for XYZ / 5-500Hz		
Compliance			
MIL-STD 461E/F	RE101 / RE102 CE101 / CE102 with EMI Glass / Touch(Optional) RS101 / RS 103 CS101 / CS 106 / CS 109 / CS 114 / CS 115 / CS 116	MIL-STD 810F/G	Vibration Method 514.5 Humidity Method 507.4 Transit Drop Method516.5
Certification			
Certification	CE, FCC		
IO Ports			
Serial Port	1x RS232 for Touch Screen (Optional)	Video	1 x VGA HDMI (Optional)
Mechanical			
Dimension	315.9 x 250.9 x 67 mm	Mounting	VESA Mount
Enclosure	Metal Housing with Aluminum Bezel	Cooling System	Fanless Design
Accessory			
Accessory	User Manual Touch Driver CD	Optional Accessory	Mounting Bracket (Optional)

Power	
Power Rating	12V DC (MIL-DTL-38999/1 connector) 9V to 36V wide range (Optional)
Control	
Button	5 Keys: -, +, Power, Esc, Enter

DIMENSIONS UNIT:MM



NOTE

1. This is a simplified drawing and some components are not marked in detail.
2. Please contact our sales representative if you need further product information.
3. All specifications are subject to change without prior notice.
4. The product shown in this datasheet is a standard model. For diagrams that contain customized or optional I/O, please contact the Winmate Sales Team for more information.