

R10IWK8M-RTT2GP

10.4" Intel® Core™ i5-8265U Ultra Rugged Tablet



KEY FEATURES

- 8th Gen. Intel® Core™ i5-8265U 1.6 GHz (turbo up to 3.9GHz), Ultra Rugged Tablet
- 10.4" 1024 x 768 Resolution Transflective TFT-LCD Panel
- Plastic front cover and Alu-Mg Alloy rear cover with Protective Rubbe
- Trusted platform module (TPM) V2.0
- Built-in Wireless / BT / GPS
- Optional 4G LTE
- Adjustable Kickstand that is convertible to a handle (Optional)



SPECIFICATIONS

| Display | |
|------------------------------|--|
| Resolution | 1024x768 |
| Contrast Ratio | 1000:1 |
| View Angles | 88,88,88,88 |
| Size | 10.4 inches |
| Panel Brightness | 700 nits |
| Touch / Glass | Resistive Touch Screen Protection Glass Without Touch Function (Optional) |
| System Specification | |
| Processor | Intel® Core™ i5-8265U (6M Cache, up to 3.9 GHz) |
| Memory | 1 x SO-DIMM, DDR4 2133 MHz, 4GB 8GB (Optional) 16GB (Optional) 32GB (Optional) |
| Storage | 1 x M.2 2242 SSD 128GB M.2 2242 SSD up to 512GB (Optional) M.2 2280 NVME SSD, up to 4TB (Optional) |
| Ethernet controller | Intel® Ethernet Controller I210-AT + Intel® Ethernet Connection I219-LM |
| Security | TPM 2.0 |
| Operating System | Windows 10 IoT Enterprise (Optional) Linux Ubuntu 18.04 (Optional) |
| WLAN | Wi-Fi Support |
| BT | BT Support |
| WWAN | 4G/ LTE or 3G (Optional) |
| GNSS | Supports GPS GLONASS, Galileo, BeiDou) (Optional) |
| Mechanical | |
| Dimension | 266 x 224 x 50.4 mm |
| Weight | 2.39kg |
| Mounting | VESA Mount |
| Enclosure | Magnesium Alloy & ABS+PC |
| Cooling System | Fanless design |
| Environment | |
| Operating Humidity | 10% to 90% RH, non-condensing |
| Operating Temperature | -10°C to 50°C (14°F to 122°F) (Battery mode) -20°C to 60°C (4°F to 158°F) (AC mode)" |
| Storage Temperature | -20°C to 60°C |
| Shock | MIL-STD-810G Method 516.6 |
| Vibration | MIL-STD-810G Method 514.6 |
| IP rating | IP54 |
| Drop | MIL-STD-810G Method 516.6, 4ft to concrete |
| Certification | |
| Certification | CE, FCC |

| IO Ports | | | |
|---------------------|--|----------------------|-----------------------------------|
| USB Port | 2 x USB3.0 (Type-A) | Serial Port | 1 x RS232/422/485 (Default RS232) |
| SD Card Slot | 1 x Micro SD card Slot | SIM Card Slot | 1 x Micro SIM card Slot |
| Audio | 1 x Audio Combo Connector (Mic in / Line Out) 2 x Speaker | LAN | 1 x Giga LAN RJ45 Connector |
| Indicator | 1 x LED Indicator for power 1 x LED Indicator for HDD 1 x LED Indicator for Battery status 1 x LED Indicator for Wifi | | |

| Accessory | |
|---------------------------|---|
| Accessory | 100~240V AC to 19V DC 65W Adapter Power Cord 11.1V / 5200mAh Battery Driver CD & Manual Quick Start Guide Stylus |
| Optional Accessory | Adjustable Kickstand (Optional) Multi-functional Desktop Docking station (Optional) Vehicle Mounting Charger Kit (Optional) Car Power Charger (Optional) Hand Strap (Optional) Shoulder Strap (Optional) Soft Shell Case (Optional) Carry Bag (Optional) |

Barcode Scanner

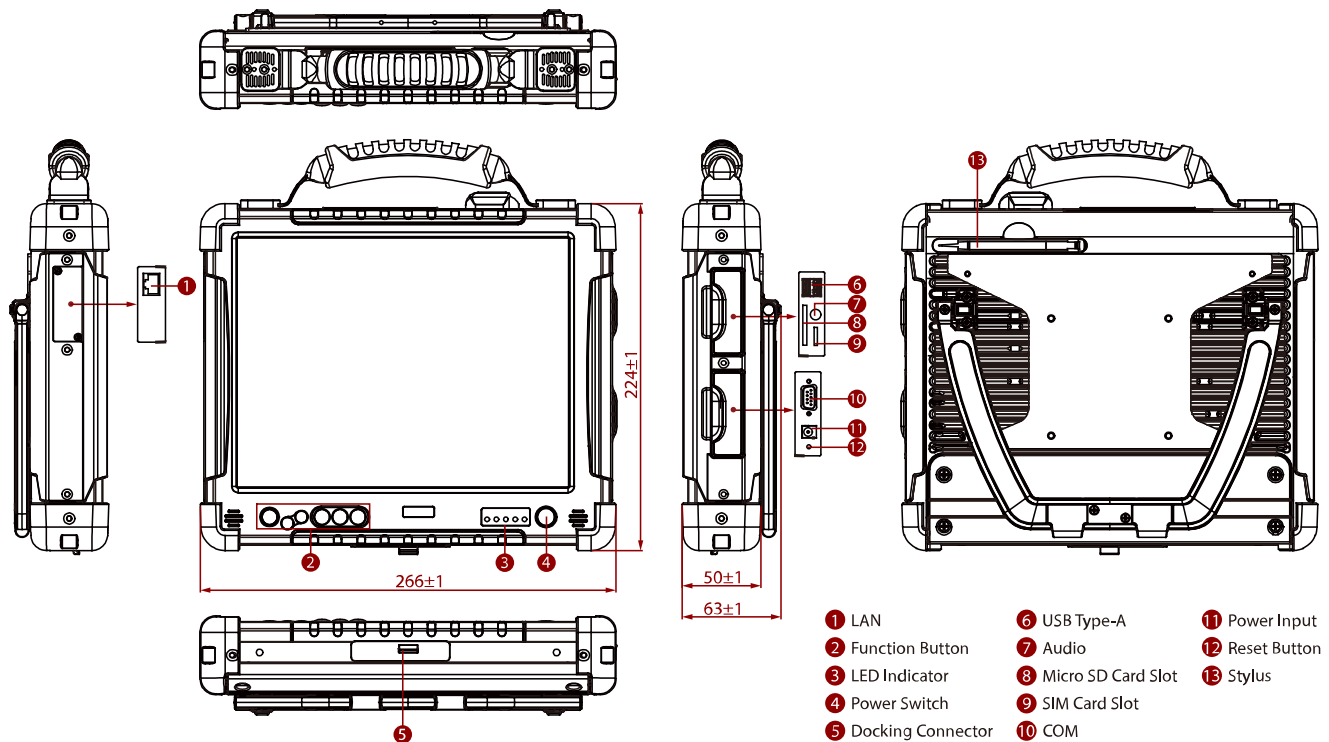
| | |
|------------------------|------------------------------|
| Barcode Scanner | 2D Barcode Reader (Optional) |
|------------------------|------------------------------|

Camera

| | | | |
|---------------------|-----------------------|--------------------|---------------------------------|
| Front Camera | 2MP Camera (Optional) | Rear Camera | 5MP Autofocus Camera (Optional) |
|---------------------|-----------------------|--------------------|---------------------------------|

DIMENSIONS UNIT:MM

Winmate R10IWK8M-RTT2GP



NOTE

1. Measured at dimming LCD brightness. Varies depending on the usage conditions, or when an external device is attached.
2. This is a simplified drawing and some components are not marked in detail.
3. The product shown in this datasheet is a standard model. For diagrams that contain customized or optional I/O, please contact the Winmate Sales Team for more information.