

R10IB3S-SPT2

10.4" Intel® Celeron® N2930 IP65 Stainless PCAP Chassis Panel PC



KEY FEATURES

- Intel® Celeron® Bay Trail-M N2930 1.83GHz Processor
- SUS 316/ AISI 316 stainless steel for food and chemical industries
- Sealed to IP65 for protection against water and dust
- A true flat, easy-to-clean front surface with edge-to-edge design
- Flat multi-touch panel pc with superior readability and P-Cap technology
- Various mounting solutions, Yoke mount and VESA mount
- Plenty of I/O s including USB 2.0, RS232 serial port and RJ45-10/100/1000 LAN ports
- Waterproof ports with adapter cables for external connectivity
- Support Glove / Rain mode
- Optical bonding (optional)

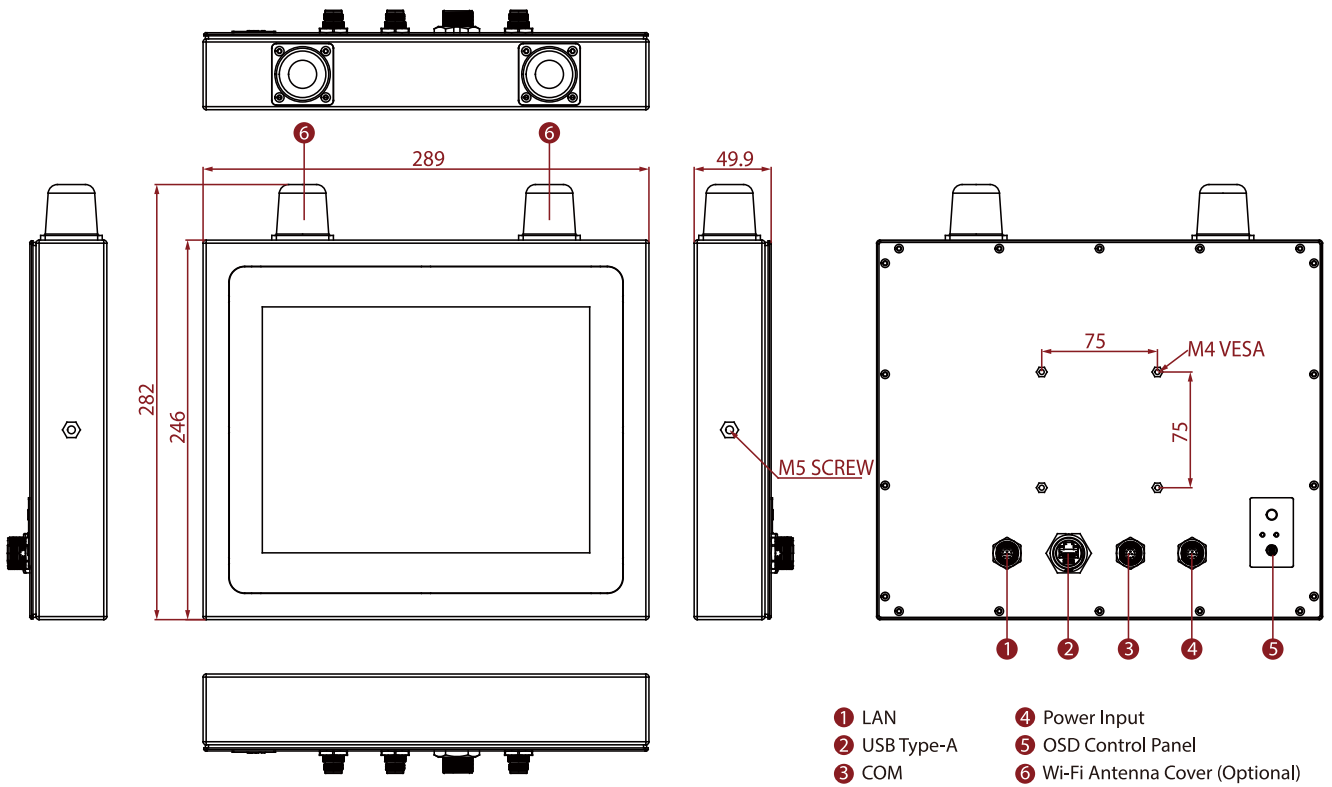


SPECIFICATIONS

Display			
Resolution	1024x768	Size	10.4 inches
Contrast Ratio	1000:1	Panel Brightness	350 nits
View Angles	88,88,88,88	Active Area	210.4x157.8 mm
Touch / Glass	Projected Capacitive Multi Touch Screen		
System Specification			
Processor	Intel® Celeron® N2930 (2M Cache, up to 2.16 GHz)	Memory	1 x SO-DIMM, DDR3L 1600 MHz, 4GB 8GB (Optional)
Storage	1 x mSATA SSD 64GB. mSATA SSD up to 512GB. (Optional)	Ethernet controller	2 x Intel® Ethernet Controller I210-AT
Operating System	Windows 7 Embedded Systems (Optional) Windows 10 IoT Enterprise (Optional) Linux Ubuntu 18.04 (Optional)	WLAN	Support (Optional)
BT	Support (Optional)		
Mechanical			
Dimension	289 x 246 x 49.9 mm	Mounting	VESA Mount Yoke Mount
Enclosure	Stainless Housing	Cooling System	Fanless design
Environment			
Operating Humidity	10% to 90% (non-condensing)	Operating Temperature	0~45°C
Storage Temperature	-20~60°C	IP rating	IP65
Certification			
Certification	CE, FCC		
IO Ports			
Power Input	1 x M12 waterproof connector for 12V DC	USB Port	1x M12 waterproof connector for 2 x USB2.0
Serial Port	1 x M12 waterproof connector for RS232	LAN	1 x waterproof Giga LAN RJ45 connector

Indicator	1 x LED Indicator for power 1 x LED Indicator for storage
Control	
Button	1 x Power Button 1 x Reset Button
Accessory	
Accessory	100~240V AC to DC Adapter with waterproof connector Power Cord External USB cable with waterproof connector External COM cable with waterproof connector External LAN cable with waterproof connector Waterproof caps Driver CD & Manual VESAs screws
Power	
Power Rating	12V DC (M12 type)

DIMENSIONS UNIT:MM



NOTE

1. This is a simplified drawing and some components are not marked in detail.
2. The product shown in this datasheet is a standard model. For diagrams that contain customized or optional I/O, please contact the Winmate Sales Team for more information.
3. All specifications are subject to change without prior notice.