

R08L100-MLU1

8.4" G-WIN Defense Display



KEY FEATURES

- 8.4" 800 x 600 resolution
- Compliant MIL-STD 810G/ MIL-STD 461E
- Fanless design and efficient heat dissipation
- Supports VESA mount
- AR protection glass , 5-wire resistive touch screen(Optional)
- Full IP65 dust and water proof enclosures, except I/O parts
- Convenient on-screen display controls
- Power input 12 V DC military-grade connector (Optional 9-36 V DC wide range)

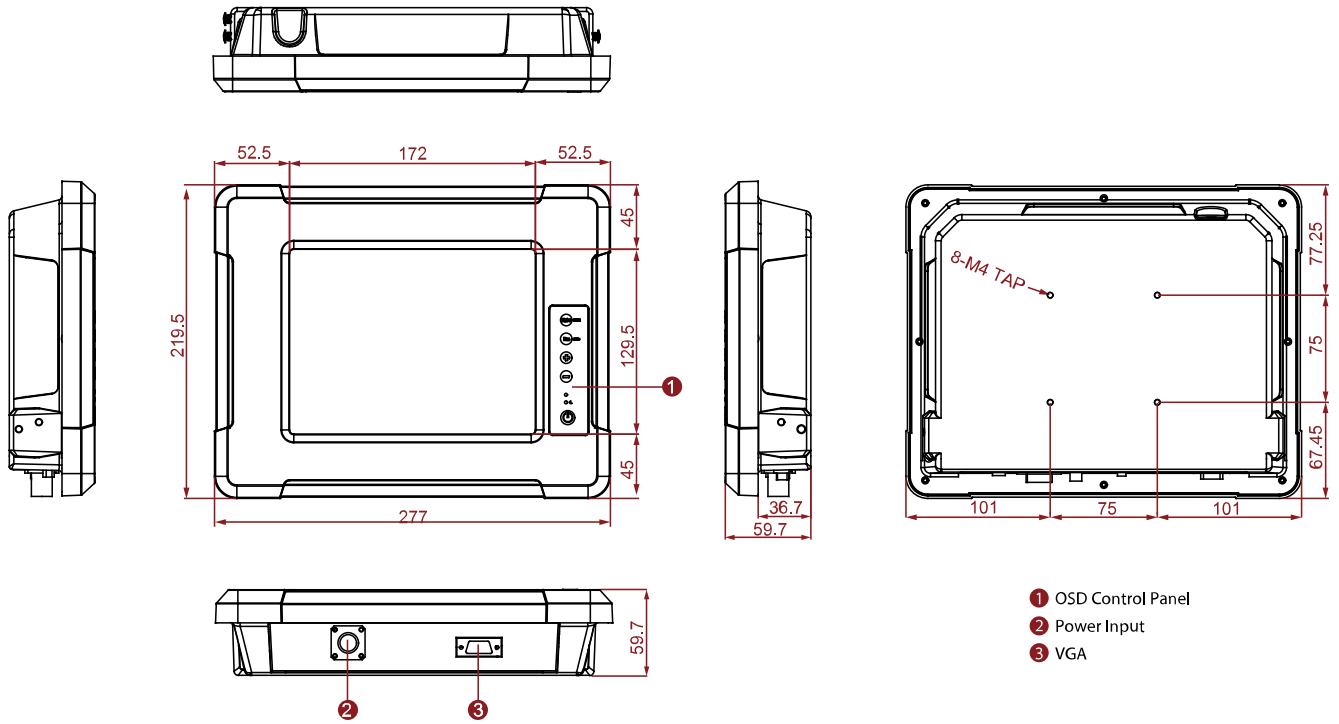


SPECIFICATIONS

Display	
Resolution	800x600
Contrast Ratio	600:1
Display Color	262K Colors
Active Area	170.4x127.8 mm
Size	8.4 inches
Panel Brightness	600 nits
View Angles	75,75,60,70
Touch / Glass	AR Protection Glass 5 Wires Resistive Touch (Optional) 5 Wire Resistive with EMI Mesh Filter (Optional) EMI Glass (Optional)
Environment	
Operating Humidity	10% to 95% RH
Storage Temperature	-30°C~70°C
Vibration	Operating: 1.60/1.96/2.18 g rms for XYZ / 5-500Hz
Operating Temperature	-20°C~60°C
Shock	Operating:30g for 18ms
Compliance	
MIL-STD 461E/F	RE101 / RE102 CE101 / CE102 with EMI Glass / Touch(Optional) RS101 / RS 103 CS101 / CS 106 / CS 109 / CS 114 / CS 115 / CS 116
MIL-STD 810F/G	Vibration Method 514.5 Humidity Method 507.4 Transit Drop Method 516.5
Certification	
Certification	CE, FCC
IO Ports	
Serial Port	1x RS232 for Touch Screen (Optional)
Video	1 x VGA HDMI (Optional)
Mechanical	
Dimension	277 x 219.5 x 59.7 mm
Enclosure	Metal Housing with Aluminum Bezel
Mounting	VESA Mount
Cooling System	Fanless Design
Accessory	
Accessory	User Manual Touch Driver CD
Optional Accessory	Mounting Bracket (Optional)

Power	
Power Rating	12V DC (MIL-DTL-38999/1 connector) 9V to 36V wide range (Optional)
Control	
Button	5 Keys: -, +, Power, Esc, Enter

DIMENSIONS UNIT:MM



- ① OSD Control Panel
- ② Power Input
- ③ VGA

NOTE

1. This is a simplified drawing and some components are not marked in detail.
2. Please contact our sales representative if you need further product information.
3. All specifications are subject to change without prior notice.
4. The product shown in this datasheet is a standard model. For diagrams that contain customized or optional I/O, please contact the Winmate Sales Team for more information.