

R08IWK8M-RTU1GP

8.4" Intel® Core™ i5-8265U Ultra Rugged Tablet PC



KEY FEATURES

- 8th Gen. Intel® Core™ i5-8265U 1.6 GHz (turbo up to 3.9GHz)
- 8.4" 800 x 600 Resolution Transflective TFT-LCD Panel
- Plastic front cover and Alu-Mg Alloy rear cover with Protective Rubber
- Trusted platform module (TPM) V2.0
- Built-in Wireless / BT / GPS
- Optional 4G LTE
- Adjustable Kickstand that is convertible to a handle(Optional)



SPECIFICATIONS

Display	
Resolution	800x600
Contrast Ratio	600:1
View Angles	75,75,60,70
Size	8.4 inches
Panel Brightness	600 nits
Touch / Glass	Resistive Touch Screen Protection Glass Without Touch Function (Optional)
System Specification	
Processor	Intel® Core™ i5-8265U (6M Cache, up to 3.9 GHz)
Memory	1 x SO-DIMM, DDR4 2133 MHz, 4GB 8GB (Optional) 16GB (Optional) 32GB (Optional)
Storage	1 x M.2 2242 SSD 128GB M.2 2242 SSD up to 512GB (Optional) M.2 2280 NVME SSD, up to 4TB (Optional)
Ethernet controller	Intel® Ethernet Controller I210-AT + Intel® Ethernet Connection I219-LM
Security	TPM 2.0
Operating System	Windows 10 IoT Enterprise (Optional) Linux Ubuntu 18.04 (Optional)
WLAN	Wi-Fi Support
BT	BT Support
WWAN	4G/ LTE or 3G (Optional)
GNSS	Supports GPS GLONASS, Galileo, BeiDou) (Optional)
Mechanical	
Dimension	266 x 224 x 50.4 mm
Weight	2.39kg
Mounting	VESA Mount
Enclosure	Magnesium Alloy
Cooling System	Fanless design
Environment	
Operating Humidity	10% to 90% RH, non-condensing
Operating Temperature	-10°C to 50°C (14°F to 122°F) (Battery mode) -20°C to 60°C (4°F to 158°F) (AC mode)"
Storage Temperature	-20°C to 60°C
Shock	MIL-STD-810G Method 516.6
Vibration	MIL-STD-810G Method 514.6
IP rating	IP54
Drop	MIL-STD-810G Method 516.6, 4ft to concrete
Certification	
Certification	CE, FCC
IO Ports	

USB Port	2 x USB3.0 (Type-A)	Serial Port	1 x RS232/422/485 (Default RS232)
SD Card Slot	1 x Micro SD card Slot	SIM Card Slot	1 x Micro SIM card Slot
Audio	1 x Audio Combo Connector (Mic in / Line Out) 2 x Speaker	LAN	1 x Giga LAN RJ45 Connector
Indicator	1 x LED Indicator for power 1 x LED Indicator for HDD 1 x LED Indicator for Battery status 1 x LED Indicator for Wifi		

Control

Button	1 x Power button 1 x Menu button 1 x Up button 1 x Down button 3 x Function key button
---------------	--

Accessory

Accessory	100~240V AC to 19V DC 65W Adapter Power Cord 11.1V / 5200mAh Battery Driver CD & Manual Quick Start Guide Stylus	Optional Accessory	Adjustable Kickstand (Optional) Multi-functional Desktop Docking station (Optional) Vehicle Mounting Charger Kit (Optional) Car Power Charger (Optional) Hand Strap (Optional) Shoulder Strap (Optional) Soft Shell Case (Optional) Carry Bag (Optional)
------------------	---	---------------------------	---

Barcode Scanner

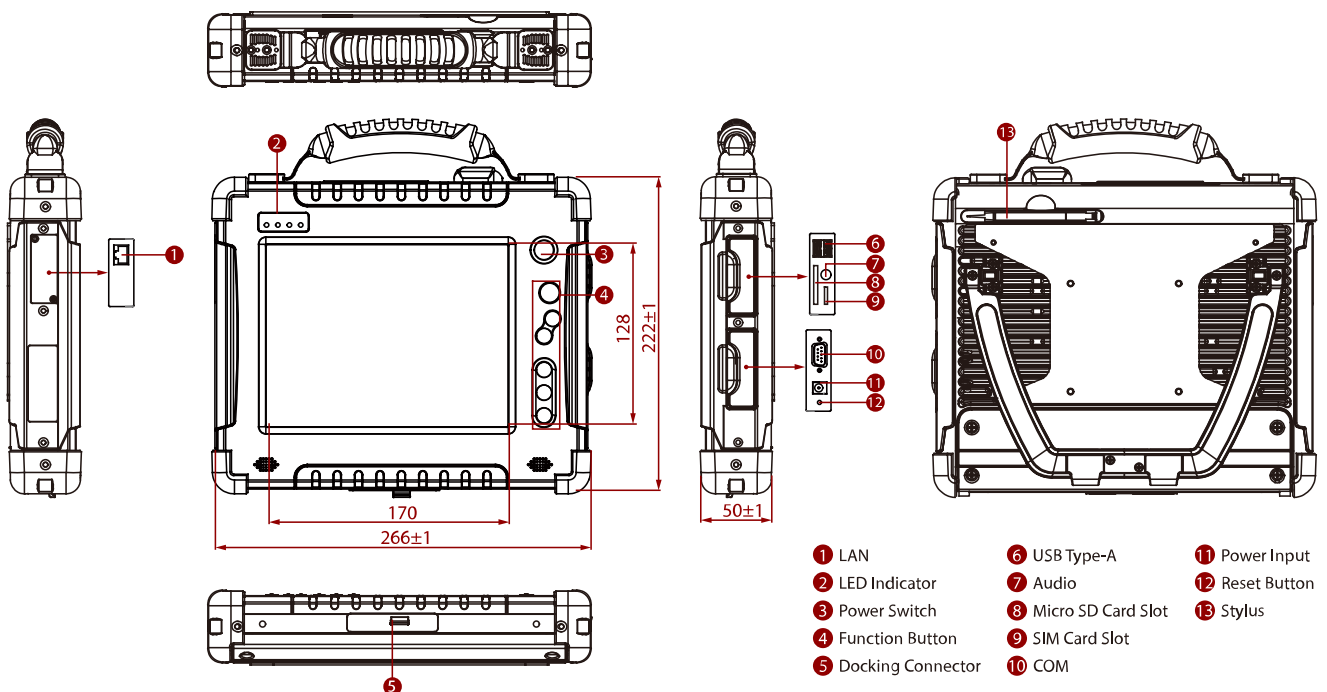
Barcode Scanner	2D Barcode Reader (Optional)
------------------------	------------------------------

Camera

Front Camera	2MP Camera (Optional)	Rear Camera	5MP Autofocus Camera (Optional)
---------------------	-----------------------	--------------------	---------------------------------

DIMENSIONS UNIT:MM

Winmate R081WK8M-RTU1GP



NOTE

1. Measured at dimming LCD brightness. Varies depending on the usage conditions, or when an external device is attached.
2. This is a simplified drawing and some components are not marked in detail.
3. The product shown in this datasheet is a standard model. For diagrams that contain customized or optional I/O, please contact the Winmate Sales Team for more information.