

# M700DQ8

## 7" Qualcomm® Snapdragon™ 660 Android Rugged Tablet



### KEY FEATURES

- Qualcomm® Snapdragon™ 660, Octa-core up to 2.2 GHz ,Android Rugged Tablet
- 7" 1280 x 720 TFT Panel with direct optical bonding
- Supports Android 9.0 OS
- IP65 waterproof and dustproof
- Rated for extreme temperature use

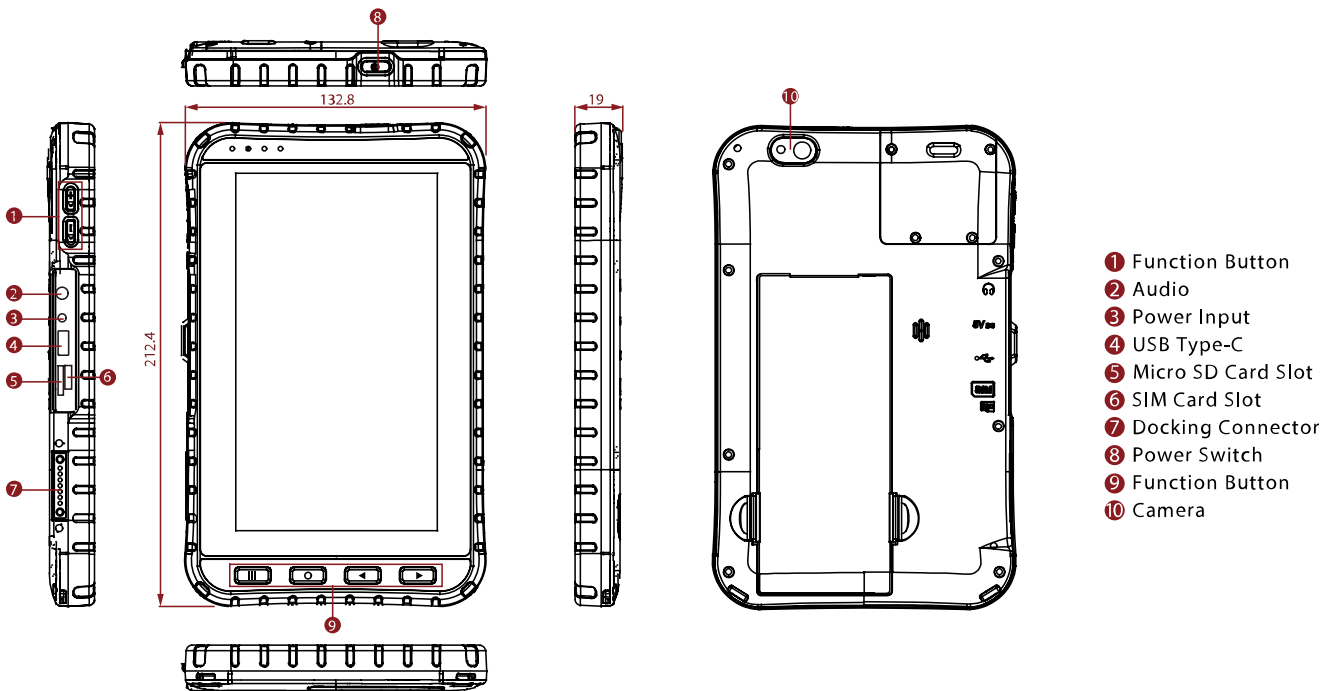


### SPECIFICATIONS

Display			
<b>Resolution</b>	1280x720	<b>Size</b>	7 inches
<b>Contrast Ratio</b>	800:1	<b>Panel Brightness</b>	650 nits
<b>View Angles</b>	80,80,80,80	<b>Type</b>	Projected Capacitive Multi Touch
<b>Touch Mode</b>	Support Hand / Gloves and Rain Mode	<b>Bonding</b>	Optical Bonding for Sunlight Viewability
System Specification			
<b>Processor</b>	Qualcomm® Snapdragon™ 660 (Octa-Core 2.2 GHz)	<b>Memory</b>	3GB
<b>Storage</b>	32GB	<b>Operating System</b>	Android 9.0
<b>WLAN</b>	Support	<b>BT</b>	Support
<b>WWAN</b>	4G/LTE (Optional)	<b>GNSS</b>	GPS/GLONASS
<b>RFID</b>	NFC (Read / Write, Peer to Peer mode) (Optional)	<b>Sensors</b>	Ambient Light Sensor, E-Compass, Gyro, Acceleration Sensors
Camera			
<b>Front Camera</b>	8MP Camera	<b>Rear Camera</b>	13MP Camera with LED Auxiliary Light (Auto Focus)
Mechanical			
<b>Dimension</b>	212.4 x 132.8 x 19 mm	<b>Weight</b>	550g
IO Ports			
<b>USB Port</b>	1 x USB 3.0 Type C OTG	<b>SD Card Slot</b>	1 x Micro SD Card Slot
<b>SIM Card Slot</b>	1 x SIM Card Slot	<b>Audio</b>	1 x Audio Combo connector (Mic in or Line Out) 2 x Built-in Mic 1 x Speaker 1 x Receiver
<b>Indicator</b>	2 x LED Indicators (Power, Battery)	<b>Docking Connector</b>	1 x Docking Connector
Environment			
<b>Operating Humidity</b>	5% to 95% RH, Non-Condensing	<b>Operating Temperature</b>	-10°C to 50°C (Battery mode)
<b>Storage Temperature</b>	-30°C to 70°C	<b>Shock</b>	MIL-STD-810G Method 516.6 Procedure I
<b>Vibration</b>	MIL-STD-810G Method 514.6 Procedure I	<b>IP rating</b>	IP65 Certified, Waterproof and Dustproof
<b>Drop</b>	MIL-STD-810G Method 516.6, 5 ft		

Certification	
Certification	CE, FCC
Control	
Button	1 x Volume +/- , 1 x Power Button, 1 x Home Button, 1 x Menu Button, 1 x Return Button, 1 x Trigger Button
Power	
Battery	3.7V 5300mAh
Battery Operating Time	20Hr
Power Rating	5V
Adapter	5V 3A Adapter
Security Function	
SOTI MobiControl	SOTI MobiControl Compliance
Accessory	
Accessory	Universal Adapter Battery USB Type-C Cable
Optional Accessory	Battery Charging Dock Vehicle Dock (Charging + Connectors) Vehicle Dock (Charging Only) Desk Dock Hand Strap Micro SD Card Capacitive Touch Stylus Vehicle Adapter HDMI Adapter
Barcode Scanner	
Barcode Scanner	1D/2D Barcode Reader (Optional)

## DIMENSIONS UNIT:MM



## NOTE

1. Total usable memory will be less dependent upon actual system configuration.
2. SOTI is available upon request.
3. Length measurements do not include protrusions.
4. The drop test with a high-capacity battery must come with a hand strap.
5. Measured at dimming LCD brightness. Varies depending on the usage conditions, or when an external device is attached.
6. Accessories and integrated options may vary depending on your configuration.
7. This is a simplified drawing and some components are not marked in detail.
8. The product shown in this datasheet is a standard model. For diagrams that contain customized or optional I/O, please contact the Winmate Sales Team for more information.