

M133WK

13.3" Intel® Core™ i5-8265U Ultra Rugged Tablet



KEY FEATURES

- Intel® Core™ i5-8265U Whiskey Lake processor, Ultra Rugged Tablet
- 13.3" 1920 x 1080 IPS wide viewing angle LED Panel
- Magnesium alloy housing with all-around elastomeric rubber
- Built-in kickstand usable as carrying handle(indefinitely adjustable)
- IP65 waterproof and dustproof
- Optical bonding technology
- TPM 2.0



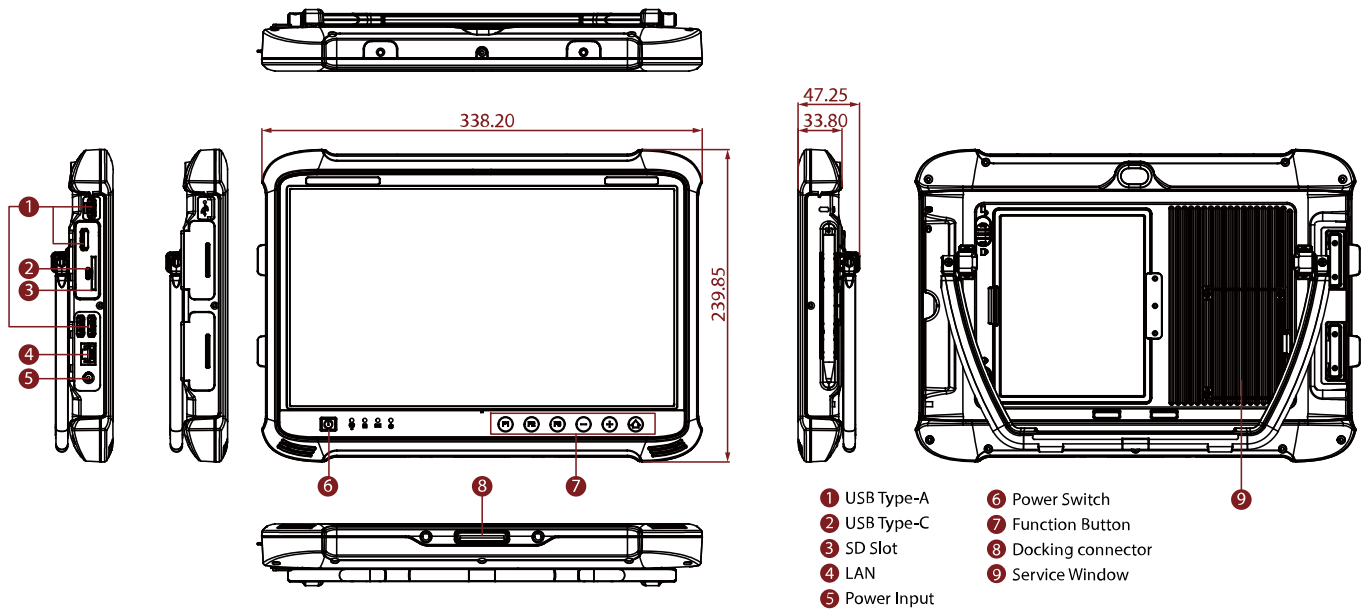
SPECIFICATIONS

Display	
Resolution	1920x1080
Contrast Ratio	1000:1
View Angles	89,89,89,89
Bonding	Optical Bonding for Sunlight Viewability
Size	13.3 inches
Panel Brightness	500 nits
Type	Projected Capacitive Multi Touch
System Specification	
Processor	Intel® Core™ i5-8265U, 1.60 GHz (up to 3.90 GHz)
Memory	4GB SODIMM DDR4-2400 8GB SODIMM DDR4-2400 (Optional) 16GB SODIMM DDR4-2400 (Optional)
Storage	Storage 1: 1 x 128GB M.2 SSD Additional storage available with SDXC card slot Storage 1 up to 1x 1TB M.2 SSD (Optional) Storage 2 up to 1x 1TB M.2 SSD (Optional)
Ethernet controller	1 x RJ45-10/100/1000 Mbps LAN
Security	Trusted Platform Module (TPM) 2.0 Kensington Lock
Operating System	Windows 10 IoT Enterprise
WLAN	Support
BT	Support
WWAN	4G LTE (Optional)
GNSS	GPS/GLONASS (Optional)
Mechanical	
Dimension	338.2 x 240 x 30 mm (13.3 x 9.4 x 1.18 inches)
Weight	2.2kg (w/ kickstand)
Cooling System	Fanless thermal design
IO Ports	
USB Port	4 x USB 3.0 Type A, 1 x USB 3.0 Type C
SD Card Slot	1 x SDXC Slot
Audio	2 x 1 watt speaker
LAN	1 x RJ45-10/100/1000 Mbps LAN
Indicator	4x LED Indicator for Power, Battery, SSD, RF status
Docking Connector	1 x Docking connector
Environment	
Operating Humidity	30% to 80% RH, non-condensing
Operating Temperature	-10°C to 50°C (14°F to 122°F)
Storage Temperature	-20°C to 60°C (-4°F to 140°F)
Shock	MIL-STD-810G Method 516.6 Procedure I
Vibration	MIL-STD-810G Method 514.6 Procedure I
IP rating	IP65 certified, dustproof and waterproof
Drop	MIL-STD-810G Method 516.6, 4 ft

Certification			
Certification	CE, FCC		
Security Function			
Kensington Lock	Kensington Lock Support		
Control			
Button	1 x Power, 1 x menu, 2 x volume key 3 x Programmable Function Keys		
Camera			
Rear Camera	1 x 8MP Rear Camera with auto-focus and LED light (Optional)		
Power			
Battery	15.4V, typ. 5900 mAh Li-Polymer Battery (4S1P)	Battery Operating Time	More than 10 hours (BAPCo TabletMark v3)
Power Rating	19V DC	Adapter	100-240V, 50-60Hz / 19V DC
Accessory			
Accessory	Adapter and Power Cord Standard Battery Stylus Stand with Integrated Handle	Optional Accessory	Vehicle Charger (Optional) Battery Charger (Optional) Desk Docking (Optional)

DIMENSIONS UNIT:MM

Winmate M133W



NOTE

- Total usable memory will be less dependent upon actual system configuration.
- TPM 2.0 is available upon request.
- Length measurements do not include protrusions. Weight varies with options.
- Measured at dimming LCD brightness. Varies depending on the usage conditions, or when an external device is attached.
- This is a simplified drawing and some components are not marked in detail.
- The product shown in this datasheet is a standard model. For diagrams that contain customized or optional I/O, please contact the Winmate Sales Team for more information.