

M133K

13.3" Intel® Core™ i5-7200U Ultra Rugged Tablet PC



KEY FEATURES

- Intel® Core™ i5-7200U Kaby Lake processor ,Ultra Rugged Tablet PC
- 13.3" 1920 x 1080 wide viewing angle LED Panel
- Magnesium alloy housing with all-around elastomeric rubber
- Built-in kickstand
- IP65 waterproof and dustproof
- With optical bonding to increase optical clarity and readability



SPECIFICATIONS

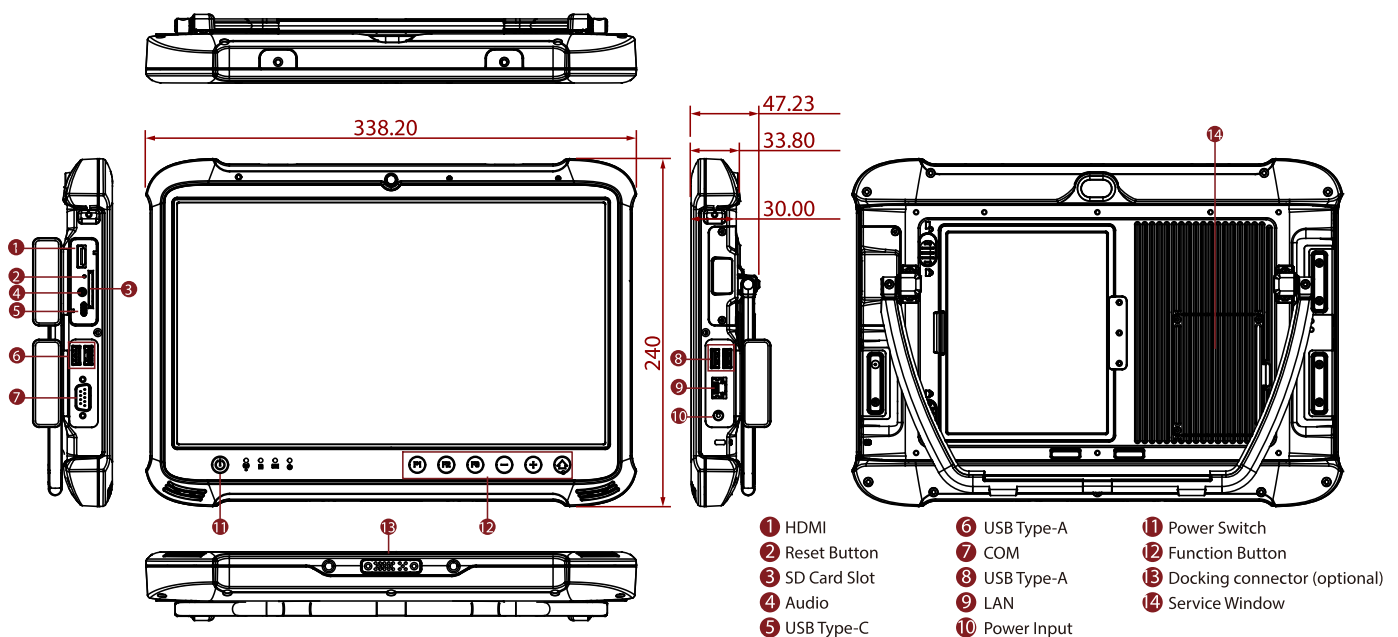
Display	
Resolution	1920x1080
Contrast Ratio	1000:1
View Angles	89,89,89,89
Bonding	Optical Bonding for Sunlight Viewability
Size	13.3 inches
Panel Brightness	500 nits
Type	Projected Capacitive Multi Touch
System Specification	
Processor	Intel® Core™ i5-7200U Kaby Lake, 2.5 GHz (Turbo up to 3.10 GHz)
Memory	4GB SODIMM DDR4-2400 8GB SODIMM DDR4-2400 (Optional) 16GB SODIMM DDR4-2400 (Optional)
Storage	Storage 1: 1 x 128GB M.2 SSD Additional storage available with SDXC card slot Storage 1 up to 1x 1TB M.2 SSD (Optional) Storage 2 up to 1x 1TB M.2 SSD (Optional)
Ethernet controller	1 x RJ45-10/100/1000 Mbps LAN
Security	Trusted Platform Module (TPM) 2.0 Kensington Lock
Operating System	Windows 10 IoT Enterprise (64 bit)
WLAN	Support
BT	Support
WWAN	4G LTE (Optional)
GNSS	GPS, GLONASS
RFID	HF RFID 13.56 MHz reader (Optional)
Sensors	Light sensor/ g-sensor / Gyro
Smart Card Reader	Built-in Smart Card Reader, Comply with ISO7816-1.2.3 T=1 and T=Ø protocol (Optional)
Camera	
Front Camera	2MP Front Camera
Rear Camera	8MP Rear Camera with auto-focus and LED light
Mechanical	
Dimension	338.2 x 240 x 30 mm (13.3 x 9.4 x 1.18 inches)
Weight	2.4 Kg (Without Kickstand), 2.5 Kg (With Kickstand)
Cooling System	Fanless thermal design
IO Ports	
USB Port	2 x USB 3.0, 2 x USB 2.0, 1 x USB 3.0 (Type C)
Serial Port	1 x RS232 Serial COM Port
SD Card Slot	1 x SDXC Slot
SIM Card Slot	1 x SIM card slot
Video	1 x HDMI
Audio	1 x Headphone Combo Jack Single Digital Mic With Noise Cancellation Dual Speaker
LAN	1 x RJ45-10/100/1000 Mbps LAN
Indicator	4x LED Indicator for Power, Battery, SSD, RF

Docking Connector 1 x 19-pin docking connector (Optional)

Environment			
Operating Humidity	30% to 80% RH, non-condensing	Operating Temperature	-10°C to 50°C (14°F to 122°F)
Storage Temperature	-20°C to 60°C (-4°F to 140°F)	Shock	MIL-STD-810G Method 516.6 Procedure I
Vibration	MIL-STD-810G Method 514.6 Procedure I	IP rating	IP65 certified, dustproof and waterproof
Drop	MIL-STD-810G Method 516.6, 4 ft		
Certification			
Certification	CE, FCC, IC, UL		
Security Function			
SOTI MobiControl	SOTI MobiControl Compliance	Kensington Lock	Kensington Lock Support
Control			
Button	1 x Power, 1 x menu, 2 x volume key 3 x Programmable Function Keys		
Power			
Battery	7.4V, typ. 10280 mAh Li-Polymer Battery Hot-Swap (Optional)	Battery Operating Time	11 Hours
Power Rating	19V DC	Adapter	100-240V, 50-60Hz / 19V DC
Accessory			
Accessory	Adapter and PowerCord Standard Battery Stylus Stand with Integrated Handle	Optional Accessory	Shoulder Strap (Optional) Battery Charger (Optional) Vehicle Charger (Optional) Desk Docking (Optional) Smart Card Reader (Optional) VESA Mounting kit (Optional) VESA Mounting kit2 (Optional)
Barcode Scanner			
Barcode Scanner	1D/2D barcode reader (Optional)		

DIMENSIONS UNIT:MM

Winmate M133K



NOTE

1. Total usable memory will be less dependent upon actual system configuration.
2. Barcode and smart card readers are mutually exclusive options.
4. TPM 2.0 available upon request.
3. The USB Type-C connector follows the USB 3.0 standard, which does not support Alternate Mode (ALT) or USB Power Delivery (USB-PD).
5. Computrace theft protection and SOTI are available upon request.
6. The product shown in this datasheet is a standard model. For diagrams that contain customized or optional I/O, please contact the Winmate Sales Team for more information.
7. Length measurements do not include protrusions. Weight varies with options.
8. Measured at dimming LCD brightness. Varies depending on the usage conditions, or when an external device is attached.
9. Accessories and integrated options may vary depending on your configuration.
10. This is a simplified drawing and some components are not marked in detail.