

# IV32

## Intel® Core™ i7-3517UE x86 Embedded Board



### KEY FEATURES

- 3.5" Form Factor (146mm x 102mm)
- Intel® Celeron® 1037U 1.8GHz
- Intel® Express Chipset HM76
- Integrated VGA, Dual-channel 18/24-bit LVDS, HDMI
- 1 x DDR3 SO-DIMM 1333/1600 MHz, max. 8GB
- Integrated Intel® 82579-LM + WG82574L Ethernet
- Supports 2 x SATA III, 4 x COM, 3 x USB 3.0, 4 x USB 2.0 12 x GPIO, 1 x 1394b, 1 x Mini PCIe slot



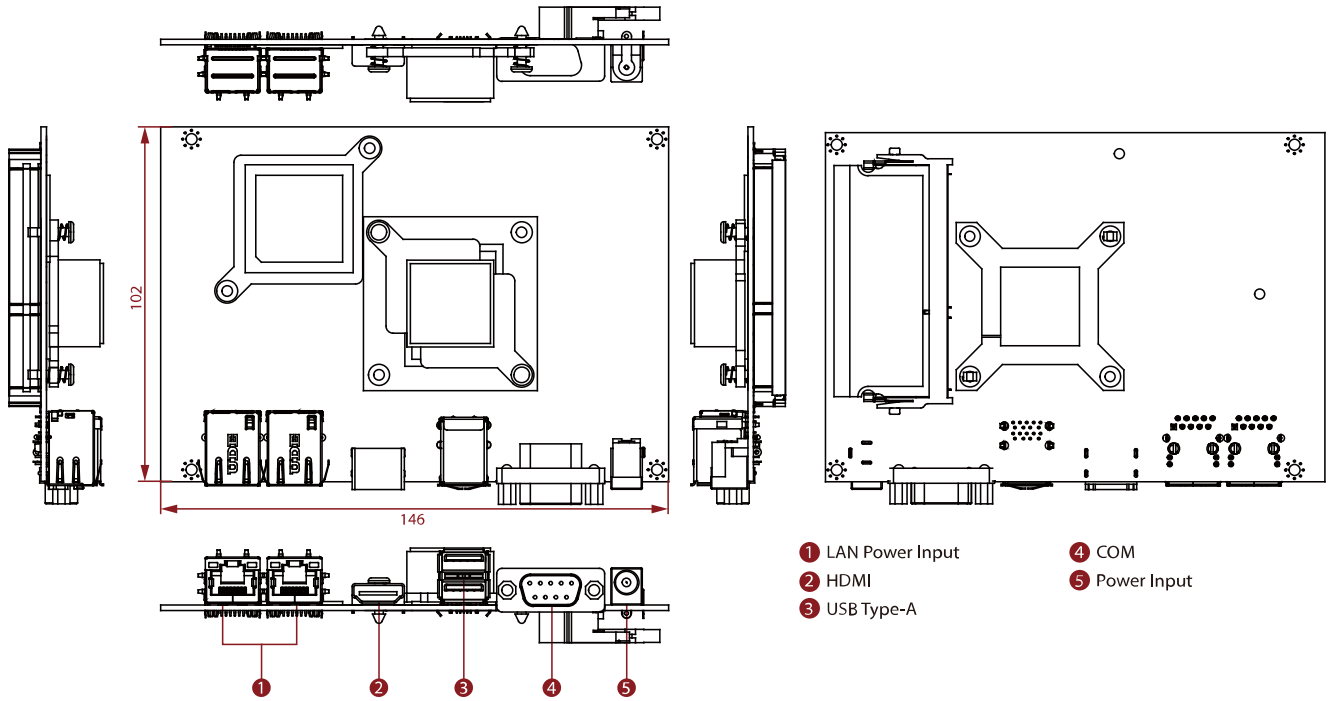
### SPECIFICATIONS

System Specification			
<b>Processor</b>	Intel® Core™ i7-3517UE (4M Cache, up to 2.80 GHz)	<b>Chipset</b>	Intel® HM76
<b>Memory</b>	1 x SO-DIMM, DDR3L 1600 MHz, 4GB 8GB (Optional)	<b>Storage</b>	1 x mSATA SSD 64GB mSATA SSD up to 512GB (Optional)
<b>Ethernet controller</b>	Intel® 82574L Gigabit Ethernet Controller + Intel® 82579LM Gigabit Ethernet PHY	<b>Security</b>	TPM 1.2
<b>Operating System</b>	Windows 7 Embedded Systems (Optional) Windows 10 IoT Enterprise (Optional) Linux Ubuntu 18.04 (Optional)		
IO Ports			
<b>Power Input</b>	1 x 12V DC, 2.5φ DC jack	<b>USB Port</b>	2 x USB3.0 (Type-A)
<b>Serial Port</b>	1 x RS232/422/485 (Default RS232)	<b>Video</b>	1 x HDMI 1.4 (Optional)
<b>LAN</b>	2 x Giga LAN RJ45 Connector		
Internal IO Ports			
<b>Power output</b>	1 x 2pin(1x2) blue wafer for 3.3V DC out 1 x 2pin(1x2) red wafer for 5V DC out 1 x 2pin(1x2) yellow wafer for 12V DC out	<b>USB</b>	2 x 8pin(2x4) for 4 x USB 2.0 1 x 10pin(2x5) for 1 x USB 3.0
<b>Serial port</b>	3 x 10pin(2x5) for RS232	<b>Display</b>	1 x 40pin DF13 connector for LVDS 1 x 20pin DF13 connector for HDMI/DVI (Optional) 1 x 10pin(2x5) for VGA (Optional)
<b>Backlight</b>	1 x 7pin(1x7) for panel backlight	<b>SATA</b>	1 x SATA III 1 x SATA II 1 x 8pin(2x4) for SATA power
<b>DIDO</b>	1 x 14pin(2x7) for Digital input/output	<b>VR</b>	1 x 3pin(1x3) for Digital panel backlight brightness control 1 x 5pin(1x5) VRD debug port
<b>Fan</b>	1 x 3pin(1x3) for CPU Fan	<b>OSD</b>	1 x 10pin(2x5) for OSD control
<b>Speaker</b>	2 x 2pin(1x2) for Speaker	<b>Backup battery</b>	1 x 2pin(1x2) for RTC battery
<b>Audio</b>	1 x 12pin(2x6) for Line in/Line out/ Mic in	<b>BIOS debug</b>	1 x 10pin(2x5) for LPC debug
Certification			
<b>Certification</b>	CE, FCC		
Mechanical			
<b>Dimension</b>	146 x 102 mm		

Environment			
Operating Humidity	60 °C @ 95% RH, (non-condensing)	Operating Temperature	0~60°C
Storage Temperature	-40~70°C		
Accessory			
Accessory	Manual & Driver CD		

## DIMENSIONS UNIT:MM

### Winmate IV32



## NOTE

1. This is a simplified drawing and some components are not marked in detail.
2. Please contact our sales representative if you need further product information.
3. All specifications are subject to change without prior notice.
4. The product shown in this datasheet is a standard model. For diagrams that contain customized or optional I/O, please contact the Winmate Sales Team for more information.