

# IB32

## Intel® Celeron® N2930 x86 Embedded Board



### KEY FEATURES

- 3.5" Form Factor (146 mm x 102 mm)
- Intel® Celeron® N2930 1.83GHz Processor
- Intel® ATOM SoC Integrated
- Integrated VGA, Dual-channel 24-bit LVDS, HDMI
- 1 x DDR3L SO-DIMM 1066 MHz, max. 8GB
- Integrated Intel® I210-AT Ethernet
- Supports 1 x SATA II, 4 x COM, 1 x USB 3.0, 5 x USB 2.0 12 x GPIO, 1 x 1394b, 1 x Mini PCIe slot



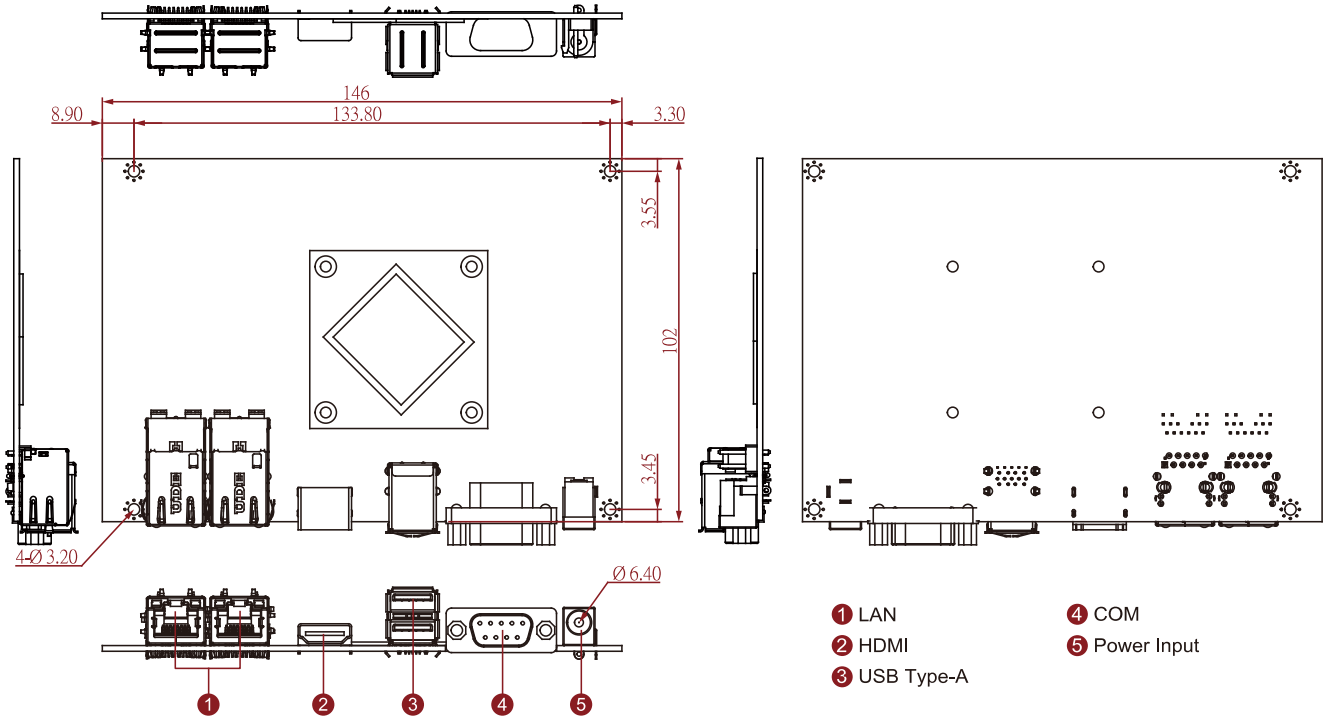
### SPECIFICATIONS

System Specification	
<b>Processor</b>	Intel® Celeron® N2930 (2M Cache, up to 2.16 GHz)
<b>Storage</b>	1 x mSATA SSD 64GB. mSATA SSD up to 512GB. (Optional)
<b>Operating System</b>	Windows 7 Embedded Systems (Optional) Windows 10 IoT Enterprise (Optional) Linux Ubuntu 18.04 (Optional)
<b>Memory</b>	1 x SO-DIMM, DDR3L 1600 MHz, 4GB 8GB (Optional)
<b>Ethernet controller</b>	2 x Intel® Gigabit Ethernet Controller
IO Ports	
<b>Power Input</b>	1 x 12V DC, 2.5φ DC jack
<b>Serial Port</b>	1 x RS232/422/485 (Default RS232)
<b>LAN</b>	2 x Giga LAN RJ45 Connector
<b>USB Port</b>	1 x USB3.0 (Type-A) 1 x USB2.0 (Type-A)
<b>Video</b>	1 x HDMI 1.4 (Optional)
<b>mini PCIe</b>	1 x Mini PCIe
Internal IO Ports	
<b>Power input</b>	1 x 2pin(1x2) for 12V DC in
<b>Power output</b>	1 x 2pin(1x2) blue wafer for 3.3V DC out 1 x 2pin(1x2) red wafer for 5V DC out 1 x 2pin(1x2) yellow wafer for 12V DC out
<b>USB</b>	2 x 8pin(2x4) for 4 x USB 2.0
<b>Serial port</b>	3 x 10pin(2x5) for RS232
<b>Display</b>	1 x 40pin DF13 connector for LVDS 1 x 10pin(2x5) for VGA (Optional)
<b>Backlight</b>	1 x 7pin(1x7) for panel backlight
<b>SATA</b>	1 x SATA II 1 x 8pin(2x4) for SATA power
<b>DIDO</b>	1 x 14pin(2x7) for Digital input/output
<b>VR</b>	1 x 3pin(1x3) for Digital panel backlight brightness control 1 x 5pin(1x5) VRD debug port
<b>Fan</b>	1 x 3pin(1x3) for CPU Fan
<b>OSD</b>	1 x 10pin(2x5) for OSD control
<b>Speaker</b>	2 x 2pin(1x2) for Speaker
<b>Backup battery</b>	1 x 2pin(1x2) for RTC battery
<b>Audio</b>	1 x 12pin(2x6) for Line in/Line out/ Mic in
<b>BIOS debug</b>	1 x 10pin(2x5) for LPC debug
Certification	
<b>Certification</b>	CE, FCC
Mechanical	
<b>Dimension</b>	146 x 102 mm
Environment	

<b>Operating Humidity</b>	60 °C @ 95% RH, (non-condensing)	<b>Operating Temperature</b>	0~60°C
<b>Storage Temperature</b>	-40~70°C		
<b>Accessory</b>			
<b>Accessory</b>	Manual & Driver CD		
<b>Power</b>			
<b>Power Rating</b>	12V DC	<b>Adapter</b>	12V 50W

## DIMENSIONS UNIT:MM

### Winmate IB32



## NOTE

1. This is a simplified drawing and some components are not marked in detail.
2. Please contact our sales representative if you need further product information.
3. All specifications are subject to change without prior notice.
4. The product shown in this datasheet is a standard model. For diagrams that contain customized or optional I/O, please contact the Winmate Sales Team for more information.