

FM07P

7" Intel® Celeron® N3350 Windows Vehicle Mounted Computer



KEY FEATURES

- Intel® Celeron N3350 (Apollo Lake) Processor, 7inch Windows Vehicle Mounted Computer
- 7" 1024 x 600 panel with projected capacitive multi-touch screen
- Wide power input 9-36V DC with ignition optional isolation power solution
- WWAN, BT, WLAN and GPS for wireless connectivity
- Wide operating temperature range -20°C to 60°C
- Shock and vibration resistance according to MIL-STD-810G



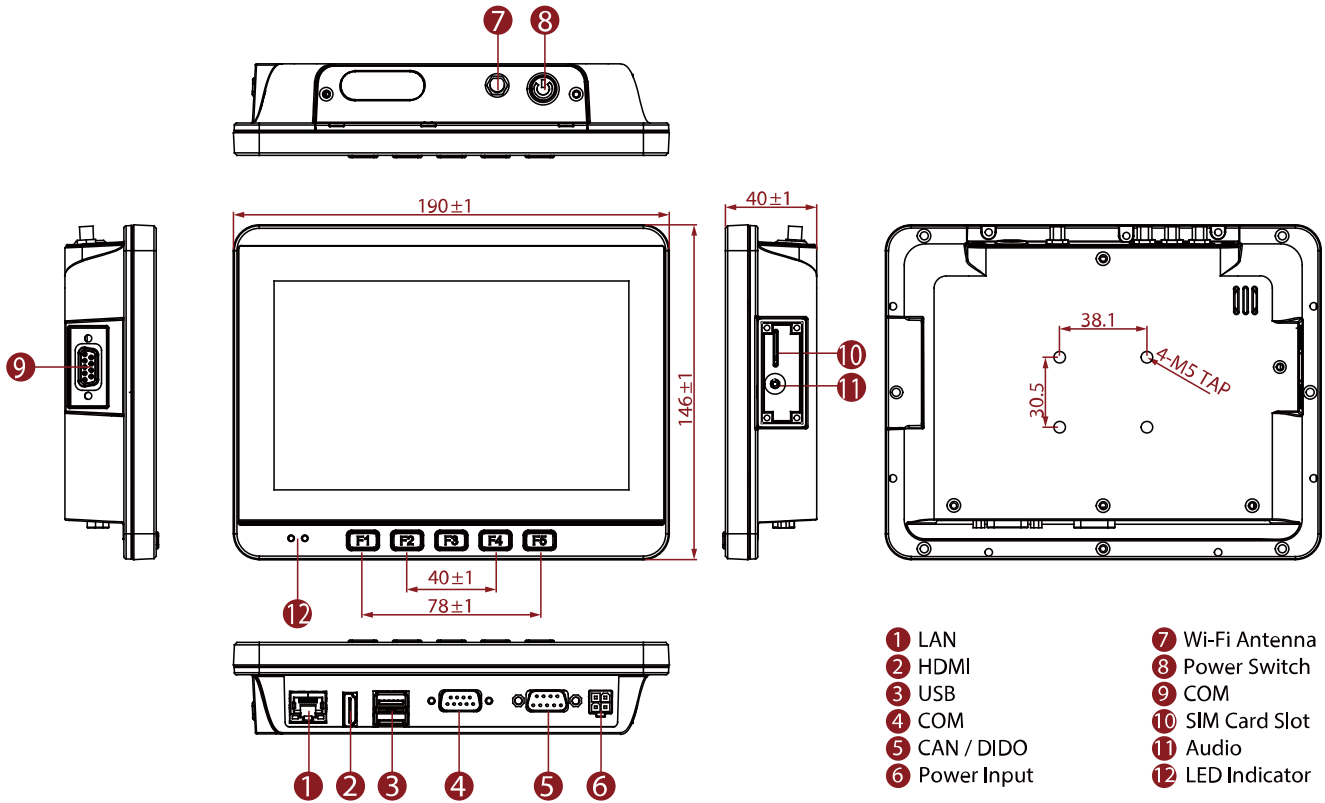
SPECIFICATIONS

Display			
Resolution	1024x600	Size	7 inches
Contrast Ratio	700:1	Panel Brightness	1000 nits
View Angles	75,75,75,70	Active Area	153.6x90 mm
Touch / Glass	Projected Capacitive Multi Touch Screen		
System Specification			
Processor	Intel® Celeron® N3350 (2M Cache, up to 2.4 GHz) Intel® Pentium® N4200 (2M Cache, up to 2.5 GHz) (Optional)	Memory	1 x SO-DIMM, 4GB DDR3L 1600 MHz 1 x SO-DIMM, 8GB DDR3L 1600 MHz (Optional)
Storage	1 x M.2 2242 SSD 64GB	Ethernet controller	1 x Intel® Ethernet Controller I210-AT
Operating System	Windows 10 IoT Enterprise Linux Ubuntu 18.04 (Optional)	WLAN	802.11 a/b/g/n/ac mode
BT	BT Support	WWAN	4G/LTE (Optional)
GNSS	GPS/AGPS		
Environment			
Operating Humidity	10% to 95% RH	Operating Temperature	-20°C to 60°C
Storage Temperature	-20°C to 60°C	Shock	MIL-STD-810G Method 516.6 Procedure I, 30 g for 18 ms
Vibration	MIL-STD-810G Method 514.6 Procedure I, 1.60/ 1.96/ 2.18 g rms for XYZ/ 5-500 Hz	IP rating	Front IP65
IO Ports			
USB Port	2 x USB	Serial Port	2 x COM Port
SIM Card Slot	1 x SIM Card Slot	Audio	1x Speaker
LAN	1 x Gigabit Ethernet LAN 10/100/100 Mbps	Front Control	5 x Function Key
Indicator	Power, HD	DIDO	DIDO
CANBUS	2 x CANBus		
Control			
Button	1 x Power Button, 5x Function Button (Programmable Function Key Configured by Winset)		
Accessory			

Accessory	User Guide Driver CD CANBus/DIDO Cable, 1.8m Wi-Fi Antenna Power Converter Cable Isolation Power box	Optional Accessory	WWAN Antenna x 2 (Optional) GPS Antenna, 3m (Optional)
Power			
Power Rating	9V-36V, with ignition control	Adapter	Optional for isolation box

DIMENSIONS UNIT:MM

Winmate FM07P



NOTE

1. Total usable memory will be less dependent upon actual system configuration.
2. Length measurements do not include protrusions. Weight varies with options.
3. Accessories may vary depending on your configuration.
4. The product shown in this datasheet is a standard model. For diagrams that contain customized or optional I/O, please contact the Winmate Sales Team for more information.